

Digital Video Recorder

XVR301-Q3 Series



Features

- Support H.265/H.264 video formats
- Support audio over coaxial cable(only for TVI cameras)
- Support TVI, AHD, CVI, CVBS, IP cameras with adaptive access
- 4/8-channel BNC input
- Support 1-ch CVBS output, 1-ch VGA output, 1-ch HDMI output at up to 4K(3840 x 2160)
- HDMI and VGA simultaneous output
- Long transmission distance over coaxial cable
- Support mainstream cameras of ONVIF and RTSP protocols

Specifications

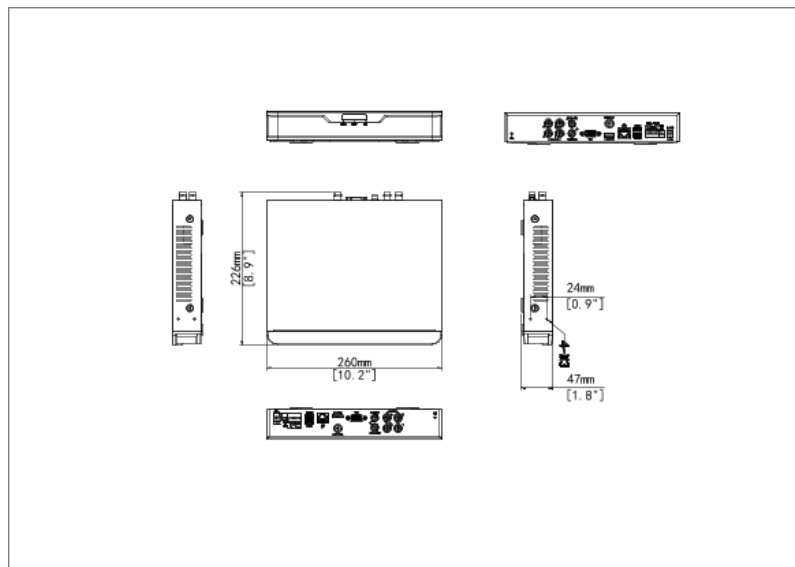
Video/Audio Input	Description
IP Video Input	XVR301-04Q3:2-ch XVR301-08Q3:4-ch
Analog Video Input	XVR301-04Q3:4-ch, BNC XVR301-08Q3:8-ch, BNC
Max IP Video Input	XVR301-04Q3:6-ch XVR301-08Q3:12-ch
Supported Analog Camera Types	XVR301-04Q3:Support AHD input: 8MP@15fps 5MP@20fps 4MP@30fps

	<p>1080P@30fps 720P@30fps Support TVI input: 8MP@15fps 3K@20fps 5MP@20fps 4MP@30fps 1080P@30fps 720P@30fps Support CVI input: 8MP@15fps 5MP@25fps 4MP@30fps 1080P@30fps 720P@30fps Support CVBS input</p> <p>XVR301-08Q3:Support AHD input: 8MP@15fps 5MP@20fps 4MP@30fps 1080P@30fps 720P@30fps Support TVI input: 8MP@15fps 3K@20fps 5MP@20fps 4MP@30fps 1080P@30fps 720P@30fps Support CVI input: 8MP@15fps 5MP@25fps 4MP@30fps 1080P@30fps 720P@30fps Support CVBS input</p>
BNC Audio Input	XVR301-04Q3:4-ch, channel audio XVR301-08Q3:8-ch, channel audio
RCA Audio Input	1-ch
Video/Audio Output	Description
HDMI Output	HDMI:4K(3840x2160)/30Hz, 1920x1080/60Hz, 1920x1080/50Hz, 1600x1200/60Hz, 1280x1024/60Hz, 1280x720/60Hz, 1024x768/60Hz
VGA Output	VGA: 1920x1080p/60Hz, 1920x1080p/50Hz, 1600x1200/60Hz, 1280x1024/60Hz, 1280x720/60Hz, 1024x768/60Hz
BNC Video Output	1-ch
RCA Audio Output	1-ch
Live View Display	XVR301-04Q3:HDMI/VGA: 1/4/6/8/9 XVR301-08Q3:HDMI/VGA: 1/4/6/8/9/16
Encoding/Decoding	Description
Recording Resolution	8MP Lite/5MP Lite/4MP Lite/1080P/720P/D1
Recording Frame Rate	Main stream: 8MP Lite@8fps Sub stream: D1@8fps Main stream: 3K Lite@12fps Sub stream: D1@12fps Main stream: 5MP Lite@12fps Sub stream: D1@12fps Main stream: 4MP Lite@15fps Sub stream: D1@15fps

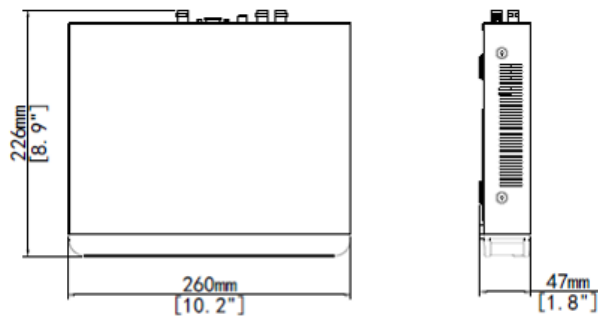
	Main stream: 1080P@15fps Sub stream: D1@15fps Main stream: 720P@30fps Sub stream: D1@30fps
Audio Sample Rate	8KHz,16 bit per channel
Audio Bit Rate	64Kbps per channel
Decoding Capability	XVR301-04Q3:Analog: 4 x 8MP Lite@8, 4 x 3K Lite@12, 4x 5MP Lite@12, 4x 4MP Lite@15, 4 x 1080P@15 IP: 1 x 4MP@30, 2 x 1080P@30 XVR301-08Q3:Analog: 8 x 8MP Lite@8, 8 x 3K Lite@12, 8 x 5MP Lite@12, 8 x 4MP Lite@15, 8 x 1080P@15 IP: 1 x 8MP@30, 2 x 4MP@30, 4 x 1080P@30
Two-way Audio	Description
Two-way Audio	1-ch, RCA(Using the audio input and output)
Analog Snapshot	Description
FTP/Schedule/Event Snapshot	XVR301-04Q3:Schedule/FTP/Event snapshot:4-ch snapshot, up to 704*576 resolution XVR301-08Q3:Schedule/FTP/Event snapshot:8-ch snapshot, up to 704*576 resolution
Network	Description
Incoming Bandwidth	XVR301-04Q3:40Mbps (Up to 48Mbps after all analog channel conversion) XVR301-08Q3:40Mbps (Up to 56Mbps after all analog channel conversion)
Outgoing Bandwidth	XVR301-04Q3:48Mbps XVR301-08Q3:64Mbps
Remote Users	128
Protocols	TCP/IP;P2P;UPnP;DHCP;HTTP;HTTPS;DNS;DDNS;SMTP;NTP
Browser(Plugin)	IE(IE10/11) Firefox (version 52.0 and above) Chrome(version 45 and above) Edge(version 79 and above)
Smart	Description
Analog Smart by XVR	SIP(Intrusion Detection,Cross Line Detection,Enter Area,Leave Area);Ultra Motion Detection(UMD)
VCA Search	Face Search;Behavior Search
Smart Functions by XVR	XVR301-04Q3:4-ch(UMD), 2-ch(SIP) XVR301-08Q3:8-ch(UMD), 2-ch(SIP)
Alarm	Description
General Alarm	Motion
Alert Alarm	IP Conflict;Network Disconnected;Disk offline;Disk Abnormal;Illegal Access;Hard Disk Space Low;Hard Disk Full;Recording/Snapshot Abnormal
Hard Disk	Description
Capacity	Up to 8TB for each HDD (The maximum HDD capacity varies with environment temperature)
External Interface	Description
Network Interface	1 RJ45 10M/100M self-adaptive Ethernet Interface
USB	Rear panel: 2 x USB2.0
RS485	1
Alarm In	4-ch
Alarm Out	1-ch

Power Supply	DC 12V/2A
Working Environment	Description
Working Temperature	-10° C ~ + 55° C (+14° F ~ +131° F)
Working Humidity	≤ 90% RH(non-condensing)
Power Consumption (without HD D)	≤ 10W
Dimensions	Description
Weight (without HDD)	≤ 1.1 Kg (2.42lb)
Dimensions	260mm × 226mm × 47mm (10.2" × 8.9" × 1.8")
Certification	Description
Certification	CE, FCC, UL, RoHS, WEEE
CE	EN 55032, EN 61000-3-3, EN IEC 61000-3-2, EN 55035
FCC	Part15 Subpart B

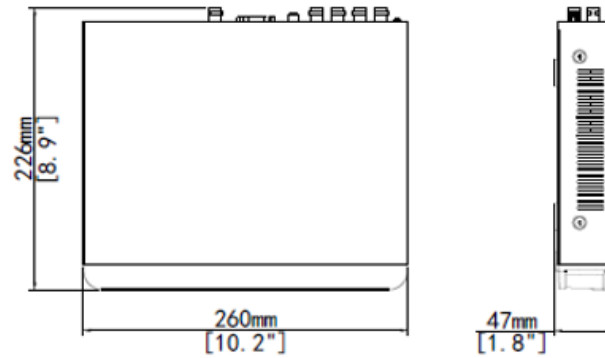
Dimensions



[XVR301-04Q3]

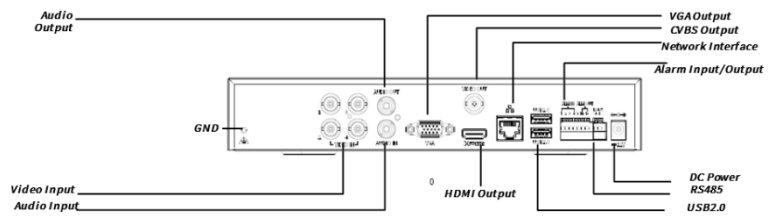


[XVR301-08Q3]



Rear Panel

[XVR301-04Q3]



[XVR301-08Q3]

