

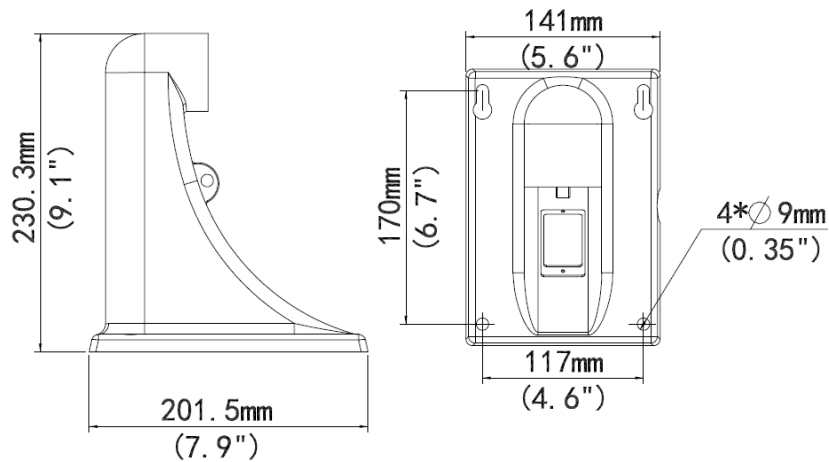
TR-WE45-IN PTZ Dome Wall Mount



Specifications

Bracket	TR-WE45-IN
Application	Indoor or outdoor, wall installation for PTZ dome camera
Dimensions(L × W × H)	230.3mmx141mmx201.5mm (9.1"x5.6"x7.9")
Weight	0.79kg(1.74lb)
Material	Aluminum alloy

Dimensions



Zhejiang Uniview Technologies Co.,Ltd.

©2015 Zhejiang Uniview Technologies Co.,Ltd. All rights reserved.

*Product specifications and availability are subject to change without notice.