

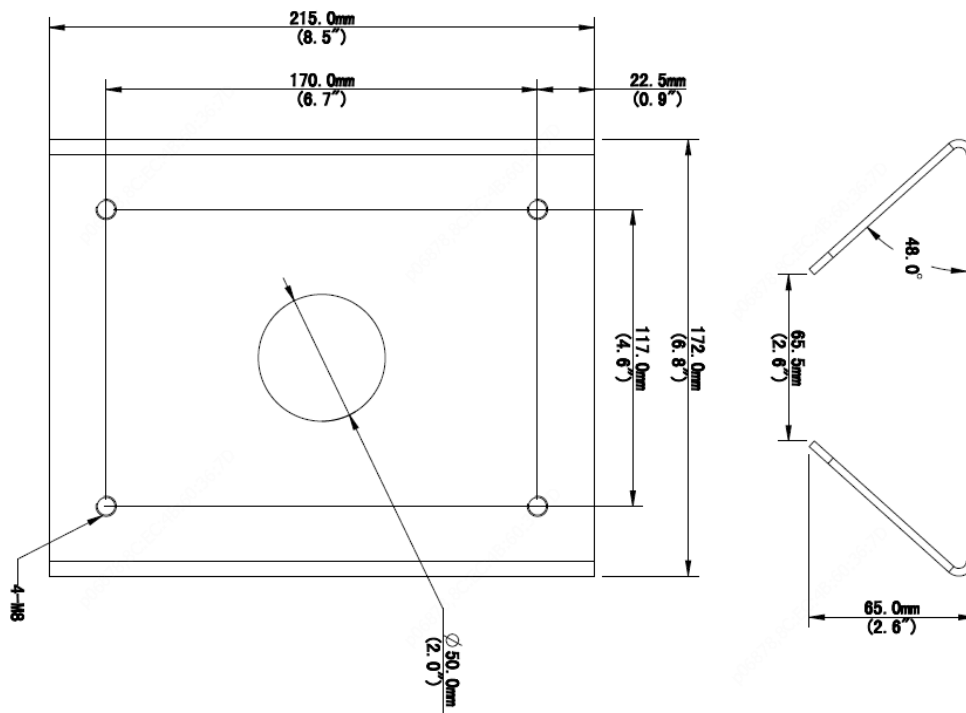
# TR-UP08-B-IN Pole Mount Adapter



## Specifications

Bracket	TR-UP08-B-IN
Application	Indoor or outdoor, pole installation for PTZ dome camera
Dimensions(L x W x H)	215mmx172mmx65mm(8.5" x 6.8"x 2.6")
Embrace hoop diameter	67mm~127mm(2.6"~5")
Weight	0.55kg(1.2lb)
Material	Aluminum alloy

## Dimensions



**Zhejiang Uniview Technologies Co.,Ltd.**

©2015-2020 Zhejiang Uniview Technologies Co.,Ltd. All rights reserved.

\*Product specifications and availability are subject to change without notice.