

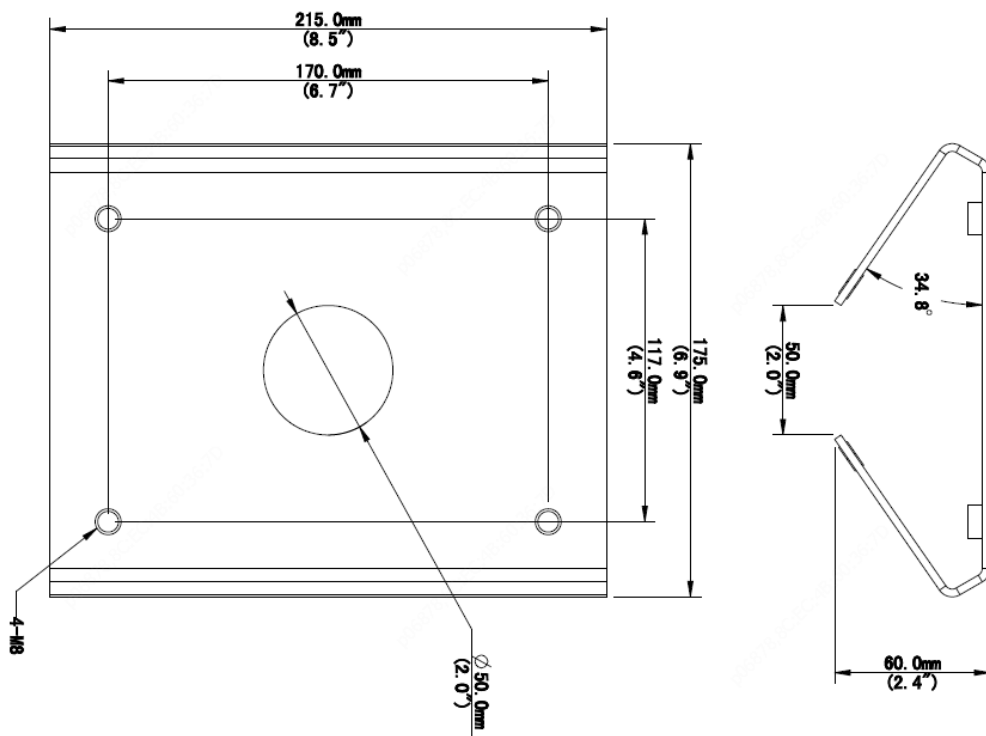
# TR-UP08-A-IN Pole Mount Adapter



## Specifications

Bracket	TR-UP08-A-IN
Application	Indoor or outdoor, pole installation for PTZ dome camera
Dimensions(L × W × H)	215mmx175mmx60.0mm(8.5" x 6.9"x 2.4")
Embrace hoop diameter	67mm~127mm(2.6"~5")
Weight	1.47kg(3.2lb)
Material	Steel

## Dimensions



**Zhejiang Uniview Technologies Co.,Ltd.**

©2015-2020 Zhejiang Uniview Technologies Co.,Ltd. All rights reserved.

\*Product specifications and availability are subject to change without notice.