

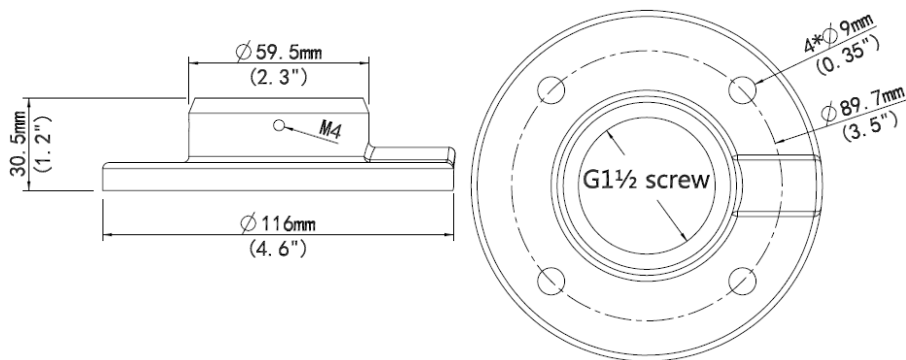
TR-UF45-A-IN PTZ Dome Indoor Pendant Mount



Specifications

Bracket	TR-UF45-A-IN
Application	Indoor, PTZ dome pendant installation
Dimensions	Φ116mmx30.5mm(Φ4.6" x1.2")
Weight	0.3kg(0.66lb)
Material	Aluminum alloy

Dimensions



Zhejiang Uniview Technologies Co.,Ltd.

©2015 Zhejiang Uniview Technologies Co.,Ltd. All rights reserved.

*Product specifications and availability are subject to change without notice.