

Bullet Junction Box

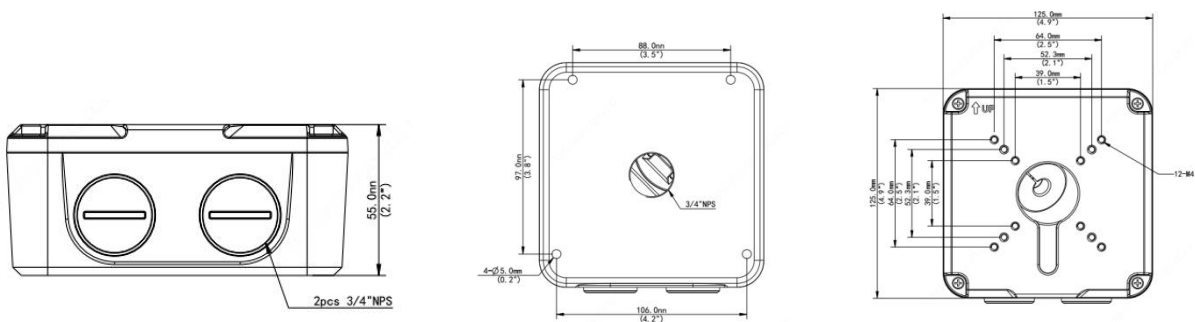
TR-JB07-D-IN



Specifications

Bracket	TR-JB07-D-IN
Application	Outdoor or indoor cable junction box for IPC23XX/222X、IPC74X and IPC252/26X series(Extra back outlet)
Dimensions	Φ125mm*125mm*55mm (4.92" x4.92"x2.17")
Weight	0.75kg(1.65lb)
Material	Aluminum alloy

Dimension



Zhejiang Uniview Technologies Co.,Ltd.

©2019 Zhejiang Uniview Technologies Co.,Ltd. All rights reserved.

*Product specifications and availability are subject to change without notice.