

# Fixed Dome Junction Box

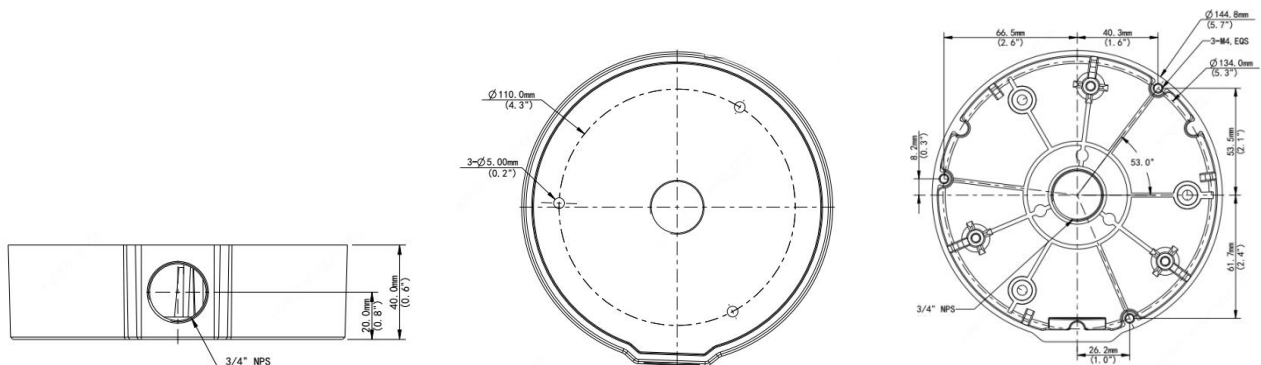
## TR-JB04-C-IN



### Specifications

Bracket	TR-JB04-C-IN
Application	Wall installation for IPC323X Series fixed dome
Dimensions	Φ144.8mm*40mm (5.70" x1.57")
Weight	0.3kg(0.66lb)
Material	Aluminum alloy

### Dimension



Zhejiang Uniview Technologies Co.,Ltd.

©2015 Zhejiang Uniview Technologies Co.,Ltd. All rights reserved.

\*Product specifications and availability are subject to change without notice.