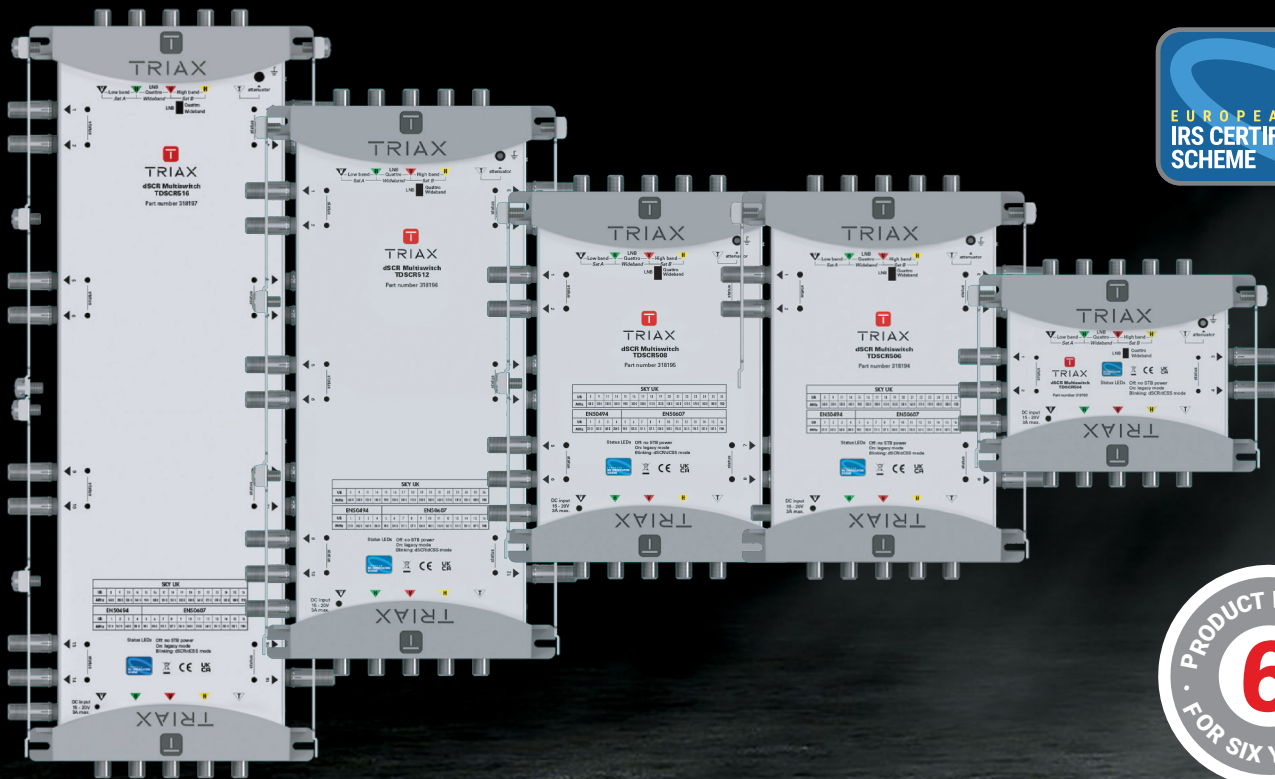




TRIAX

connecting the future



TRIAX dSCR multiswitches

Reduce installation costs with ultra low power consumption

TdSCR 504/506/508/512/516 multiswitches

The only switch you need

Independent outputs for legacy or dSCR mode; can be used as cascade or standalone.

Ultimate flexibility

With your choice of 4, 6, 8, 12 or 16 outputs, TRIAX multiswitches are compatible with Quattro and Wideband LNBs, and support 1 or 2 satellite positions.

European IRS Certification Scheme

Certified to the EICS scheme demonstrating the high quality of the solution and compatibility with all major satellite and TV platforms.

NEW - 4 Way Remote Powered

When no landlord supply is available (TdSCR 504RP only).

Reduce costs

Low power consumption means you can build large, cascadable systems with a single PSU connected at any point in the system.

Easy planning and installation

Simple integration with existing TRIAX solutions; 5x Quick F connectors included.

Safety first

Earth Bars included for all subscriber outputs.

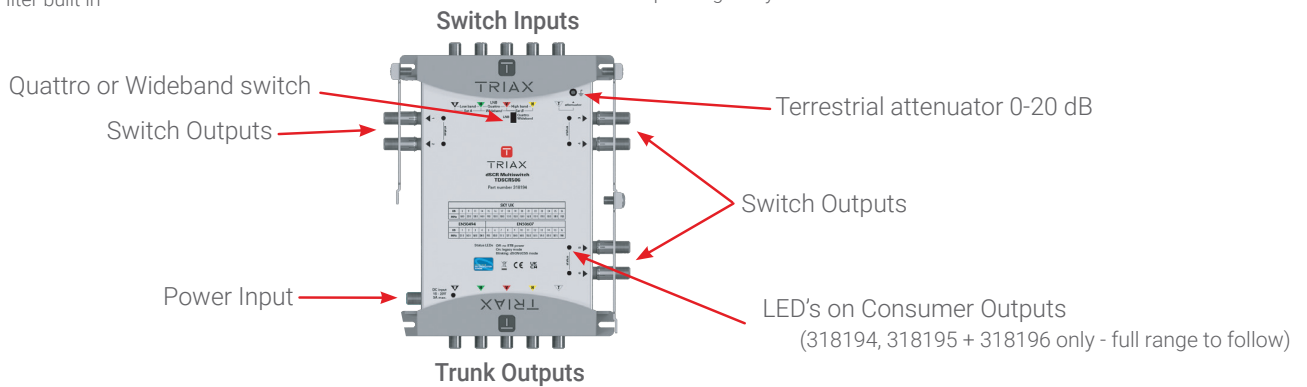
triaux.com



TRIAX

connecting the future

- 4, 6, 8, 12 or 16 SCR/Legacy outputs
- Switchable Quattro / Wideband satellite inputs for 1 or 2 satellite positions
- Terrestrial Level Control for signals 0–20dB
- DC input (for switch, line and LNB powering)
- LED's on Consumer Outputs (318194, 318195 + 318196 only - full range to follow)
- Can be used as a Cascade or Standalone Multiswitch
- LTE Filter built in
- Balanced dSCR and Legacy output signal levels (AGC) for easy system planning and installation
- Each subscriber output provides dSCR, Legacy, TV and Radio
- Trunk outputs allow the cascade of multiple switches to support large installations
- The unit can be powered directly via the DC input port, or remotely via the trunk lines
- Use power supplies 318165 (1.2A), 318166 (2A) or 318167 (3A) depending on system size



Type		TdSCR 504RP	TdSCR504	TdSCR506	TdSCR508	TdSCR512	TdSCR516
Art. No.		318192	318185	318194	318195	318196	318188
Inputs		4 x SAT (1 x Quattro or 2 x Wideband) + 1 x Terr.					
No. Consumer Outputs		4	4	6	8	12	16
Impedance inputs/outputs	Ohm	75					
FREQUENCY RANGE - SAT (Switchable)							
- dSCR, Legacy	MHz	950 - 2150					
- Wideband	MHz	290 - 2340					
Frequency range Terr.	MHz	40 - 790, active		40 - 694, active			40 - 790, active
Input power range/dSCR/Legacy	dBuV	70 - 100 (-38 to -8dBm)					
Output power range/dSCR/Legacy*(AGC)	dBuV	85 (-25dBm)*	83 (-26dBm)*	86 (-23dBm)*			83 (-26dBm)* *(+/-1dB with 2 carriers)
OPERATIONAL							
Insertion loss Terr.	dB	0 Typ.	2 +/-2dB	4 +/-2dB			1 +/-5dB
Attenuation Terr.	dB	0 to 20					
Max output power Terr.	dBuV	90					
Through loss SAT	dB	-2.5 Typ.	-2.5 +/-2dB	-4 +/-2dB	-4 +/-2dB	-5.5 +/-2dB	-9 +/-5dB
Through loss Terr.	dB	-4.0 Typ.	-3 +/-2dB	-3 +/-2dB	-3 +/-2dB	-4 +/-2dB	-7 +/-2dB
Isolation H/V	dB	25					
Return loss Inputs/Outputs	dB	10					
User band frequencies		SKY UK, EN50607, EN50494 (automatic selection)					
LNB Supply voltage	V	15 -20					
Max LNB supply current	mA	1000					
Current consumption @18V	mA	250	40	60	70	100	160
External/Trunk PSU	V	Yes (15 - 20)					
Powering via SAT trunk cables		No	Yes				
Remote Powering Via Switch Output Ports		Yes	No				
LED Status indicator		Green LED: Steady - Legacy / Flashing - dSCR (318194, 318195 + 318196) - Full range to follow					
MECHANICAL							
Dimensions (W x L x H)	mm	191 x 136 x 52	191 x 136 x 52	191 x 236 x 52	191 x 236 x 52	191 x 335 x 52	191 x 446 x 52
Weight	g	520	520	650	800	1160	1980
Operational temperature range	°C	-20 to +50					
DC Connector type		F Connector					
European IRS Certification		No	Yes				