

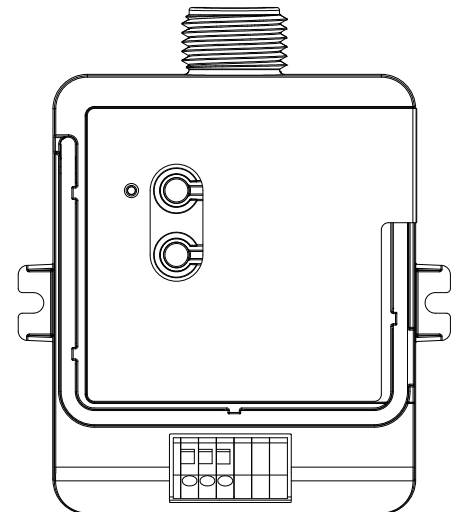
Vive PowPak CCO Module

The PowPak CCO Module is a low-voltage radio frequency (RF) control that provides a single dry contact closure output based on input from Pico remote controls and Radio Powr Savr occupancy and daylight sensors. It can be powered by to 24 V~ or 24 V== for easy connection and integration into building management, HVAC, VAV, and other third-party systems.

Communication with RF input devices, such as Pico remote controls and Radio Powr Savr sensors, is accomplished using Lutron Clear Connect RF Technology.

These products are also compatible with the Vive hub which enables a simple setup process using a standard web browser on any Wi-Fi enabled phone, tablet or computer. It also enables control and monitoring of all Vive devices. The Vive hub can be added at any time. System reprogramming will be required. For a complete list of features supported with the Vive hub, see specification submittal 3691044.

Note for Replacement: RMKS - the “S” model can replace the non-”S” model.



RMKS-CCO1-24-B model shown

Features

- Single contact closure output including both normally open (NO) and normally closed (NC) dry contacts
- Maintained output type
- Operates at 24 V~ or 24 V==
- Receives wireless inputs from up to 10 Pico remote controls, 10 Radio Powr Savr occupancy/vacancy sensors, and 1 Radio Powr Savr daylight sensor
- Utilizes Lutron Clear Connect RF Technology – refer to model number chart below for frequency band data
- Screw tabs provided for surface mounting (recommended); or mounts to a 100 mm x 100 mm square junction box through a 20 mm knockout

Models

Model Number	Region	Operating Voltage	Frequency Band
RMKS-CCO1-24-B	Europe	24 V~ or 24 V==	868.125–868.850 MHz

NOTE: Contact Lutron for frequency band compatibility for your geographic region if it is not indicated above.

Job Name:	Model Numbers:
Job Number:	

Specifications

Regulatory Approvals

- CE (European Union)

Power

- IEC SELV/PELV
- Operating voltage: 24 V~ / 24 V==
- Operating current, nominal: 45 mA (24 V~)
35 mA (24 V==)
- Standby Power Consumption: < 1.0 W

System Communication

- Operates using Clear Connect RF Technology for reliable wireless communication; refer to model number chart on page 1 for frequency band details
- Wireless sensors and controls must be located within 9 m of the associated control module.

Metal Ceiling Tile Mounting

- Metal ceiling tile grids must have a ≥ 3 mm gap of non-metallic material which extends the entire length of the tile on at least one edge. This is often achieved by foam spacers that are used to prevent tile-to-tile rattling.
- Metal ceiling tile grids which are continuous (with no gap) or those that are interlocked, must have a total surface area that is less than 81 m² for each section. The overall space can be larger as long as there are non-metallic sections bordering or intersecting the metal sections.

Environment

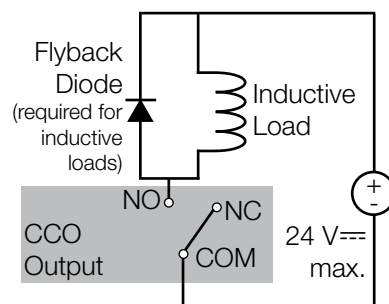
- Ambient operating temperature: 0 °C to 55 °C
- 0% to 90% humidity, non-condensing

Switching Voltage	Resistive Load
0-24 V==	1.0 A
0-24 V~	0.5 A

- For indoor use only
- All drivers and ballasts used with Vive wireless controls must comply with EN 55015/CISPR 15

Contact Closure Output

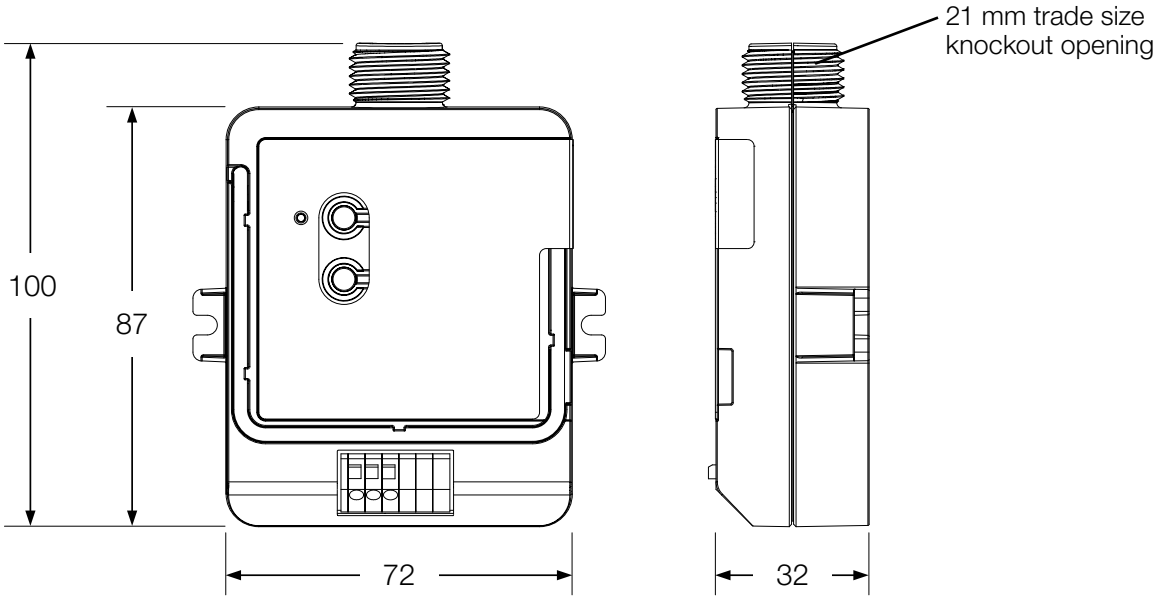
- Accepts input voltages of 0–24 V~ / 0–24 V==; see chart below for load switching capacities
- Provides both normally open (NO) and normally closed (NC) dry contacts
- Maintained output type
- CCO terminals accept 0.5 mm² to 1.5 mm² (20 AWG to 16 AWG) solid or stranded wire
- Output is latching
- The CCO is not rated to control unclamped, inductive loads. Inductive loads include, but are not limited to, relays, solenoids, and motors. To control these types of equipment, a flyback diode must be used (DC voltages only). See diagram below. For more information, please see Application Note #434 (p/n 048434).



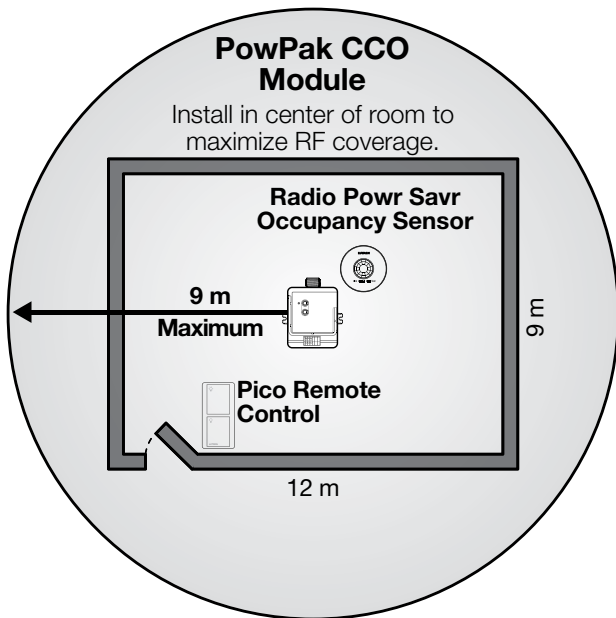
Job Name:	Model Numbers:
Job Number:	

Dimensions

Dimensions are shown as: mm



Range Diagrams

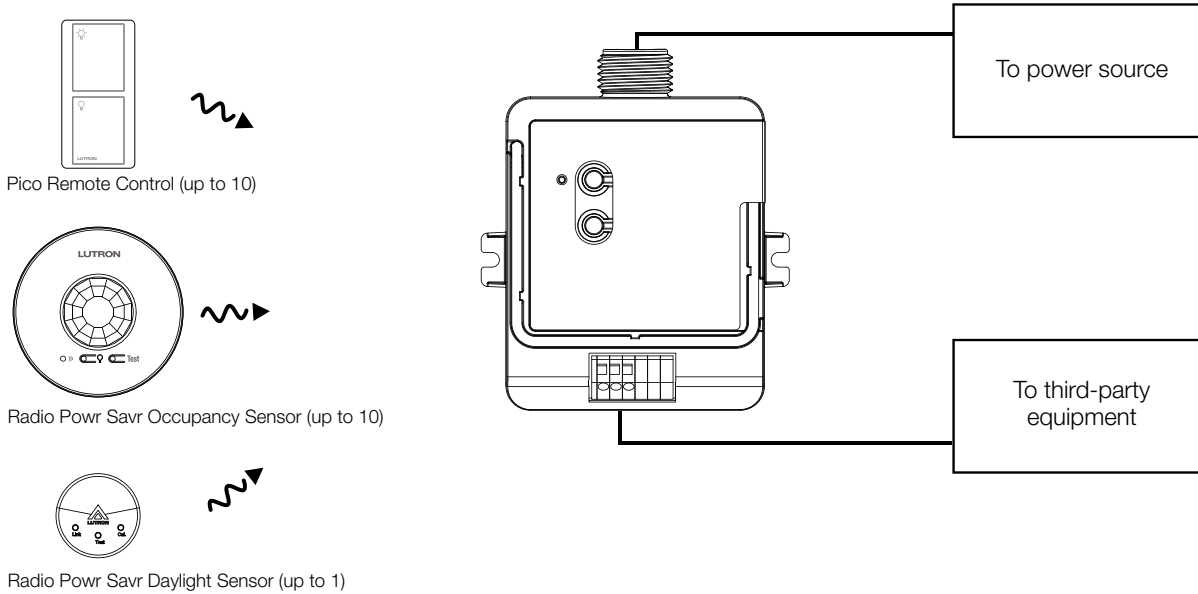


NOTE: Wireless sensors and controls must be located within 9 m of the associated control module.

- Metal ceiling tile grids must have a ≥ 3 mm gap of non-metallic material which extends the entire length of the tile on at least one edge. This is often achieved by foam spacers that are used to prevent tile-to-tile rattling.
- Metal ceiling tile grids which are continuous (with no gap) or those that are interlocked, must have a total surface area that is less than 81 m² for each section. The overall space can be larger as long as there are non-metallic sections bordering or intersecting the metal sections.

Job Name:	Model Numbers:
Job Number:	

System Diagram

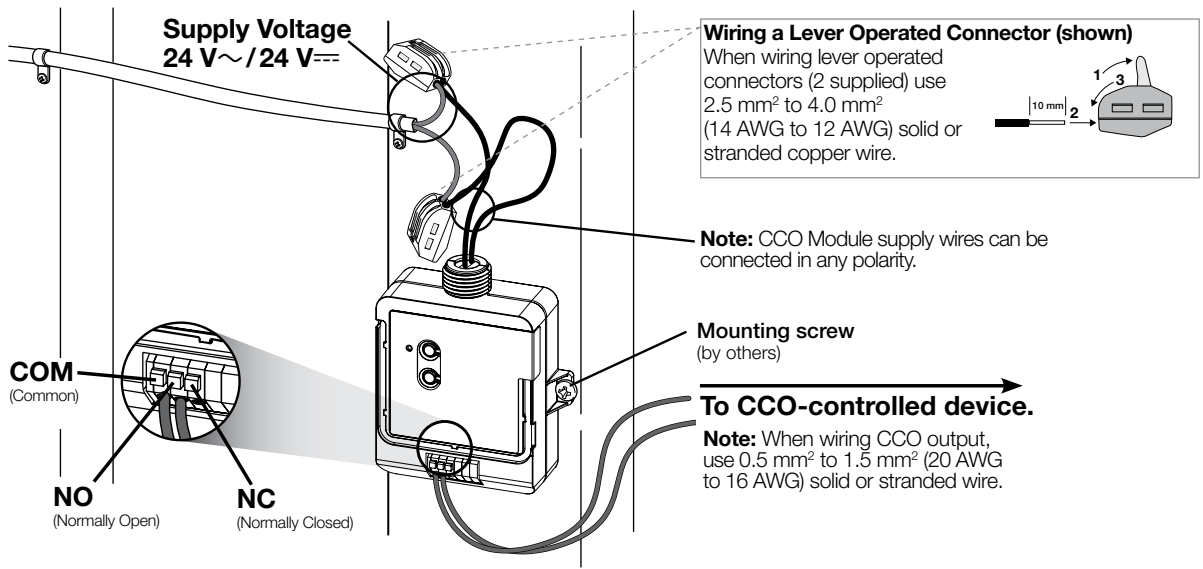


Default Operation

Transmitting Device	Transmitted Command	CCO Default Action
Pico Remote Control	On	NO = Close, NC = Open
	Off	NO = Open, NC = Close
	Raise	NO = Close, NC = Open
	Lower	No Action
	Preset	NO = Close, NC = Open
Radio Powr Savr Occupancy Sensor	Occupied	NO = Close, NC = Open
	Unoccupied	NO = Open, NC = Close
Radio Powr Savr Vacancy Sensor	Occupied	No Action
	Unoccupied	NO = Open, NC = Close
Radio Powr Savr Daylight Sensor	Ambient Light Below Target Level	NO = Close, NC = Open
	Ambient Light Above Target Level	NO = Open, NC = Close

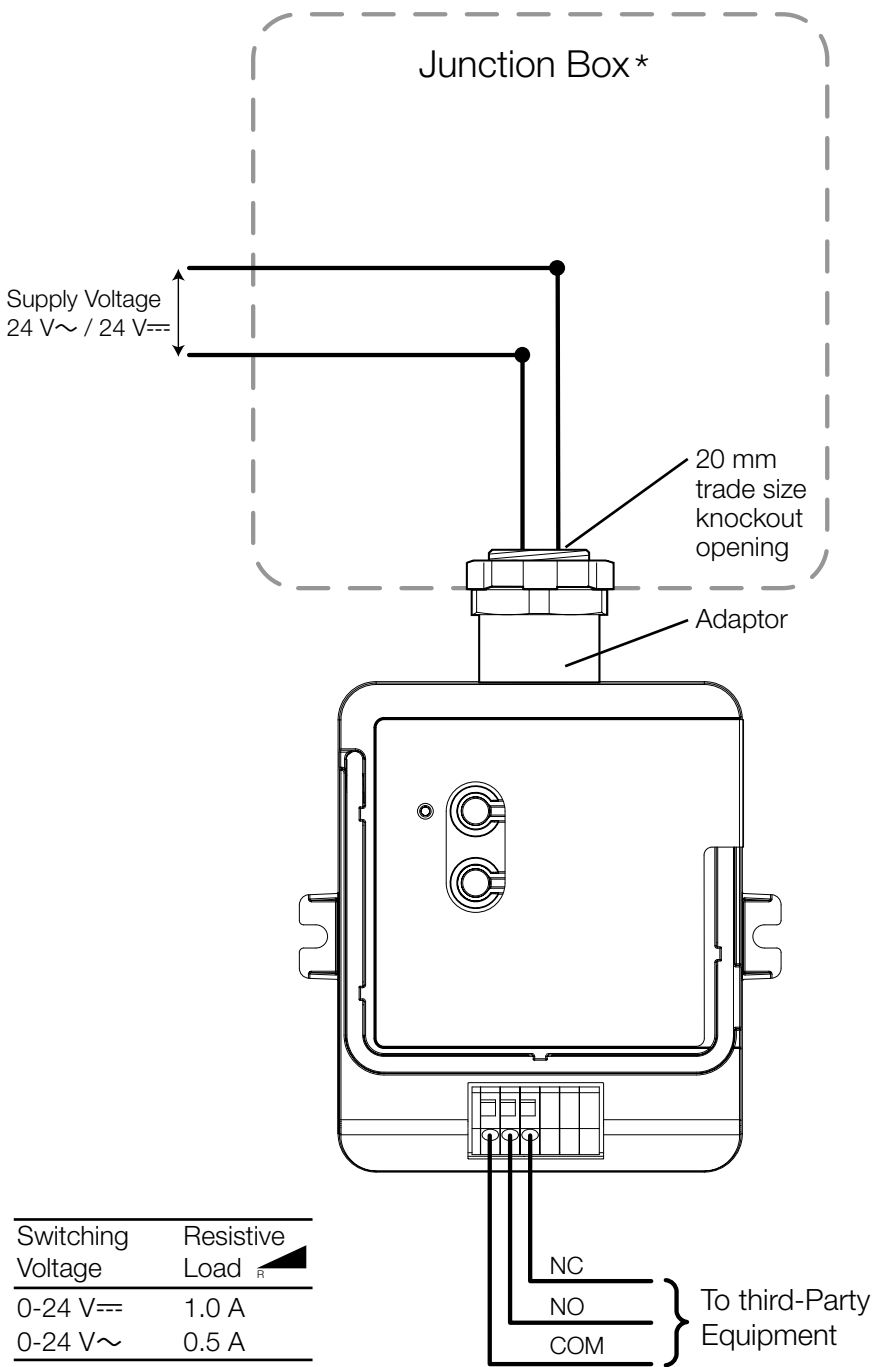
Job Name:	Model Numbers:
Job Number:	

Wiring Diagram (Recommended)



Job Name:	Model Numbers:
Job Number:	

Wiring Diagram (Junction Box Optional)



☀️Lutron, Lutron, PowPak, Pico, and Clear Connect are trademarks of Lutron Electronics Co., Inc. registered in the U.S. and other countries.
 Vive and Radio Powr Savr are trademarks of Lutron Electronics Co., Inc.

☀️**LUTRON** SPECIFICATION SUBMITTAL

Page

Job Name:	Model Numbers:
Job Number:	