

Connectivity.Assured

PRS Category 6A SlimCat™ Network Patch Cord

The Kordz PRS SlimCat U/FTP Cat6A Network Patch Cord is a high performance, highly flexible, slim-profile, stranded 28AWG copper, Category 6A compliant patch cord. This makes it ideal for 10GBase-T professional and custom network applications. The slim-profile cable diameter of only 4.8mm, offers a 20% reduction in diameter when compared with conventional CAT6A patch cords making cable bundles less bulky and easier to manage. Designed and engineered for optimal protection against EMI, alien cross talk and return loss. The Kordz PRS SlimCat Cat6A Network Patch Cord now provides a new compact, custom designed RJ45 gold-plated shielded connector for enhanced protection against unwanted EMI therefore ensuring solid signal integrity. Using better materials, the RJ45 connector also features an almost unbreakable latch which is rated to 2,000+ 180°degree bends eliminating the need for cable replacements due to latch breakage, saving installers time and cable wastage, delivering the Kordz promise of "Connectivity Assured".



- ▶ Exceeds Category 6A ANSI/TIA 568.2-D standard for all frequencies from 1 to 500 MHz
- ▶ Each cable is individually performance tested with its own unique downloadable test report
- ▶ Anti-corrosion gold-plated shielded connector
- ▶ UL 444 (CMG) fire rating
- ▶ 568B wire connection configuration
- ▶ Overall cable diameter of 4.8mmØ
- ▶ Patented company connector with 'snap-proof' latch
- ▶ Available in 8 colours – Black, blue, grey, green, purple, yellow, red & white
- ▶ Available in 16 lengths from 0.15m to 30.0m
- ▶ Lifetime Warranty



Technical Specifications

Category 6A Network Patch Cord Specification Standard

Applicable Standards	ANSI/TIA-568.2-D
	IEC11801
	EN50173
Performance Standard	≤ 10.0m Category 6A Component Tested
	≥ 15.0m Category 6A Channel Tested
Wiring method	T568-B
Certified Data Rate	10 Gbps (Gigabit ethernet)
Supported Data Rate	≥ 10 Gbps (Gigabit ethernet)
Certified Bandwidth	1 to 500 MHz
Supported Bandwidth	≥ 500 MHz

Construction

Conductors	Solid 28 AWG Oxygen-Free Stranded Copper
Conductor Insulation	Skinned Foam PE
Shielding	Individual pairs AL-Mylar shielded 100% Coverage
Cable Jacket Material	UL CMG-rated PVC Composite
Connector Material	Nylon Composite
Contact Material	Solid Oxygen-free Copper, 50µ" Gold-plated
Contact Type	3-prong for solid/stranded conductors
Strain Relief	Injection-moulded PVC

Mechanical

Cable Diameter	28 AWG, 4.8mm/0.19"Ø
Maximum Cable Pulling Tension	80 kgf/cm²
Cable to Plug Tensile Strength	TBC
Cable Bend Radius	20.0mm 0.79in
Recommended Total Mounting Depth	40.0mm 1.57in
Mating Cycles (max.)	1000 cycles
Temperature range	UL Temp rating 75°C

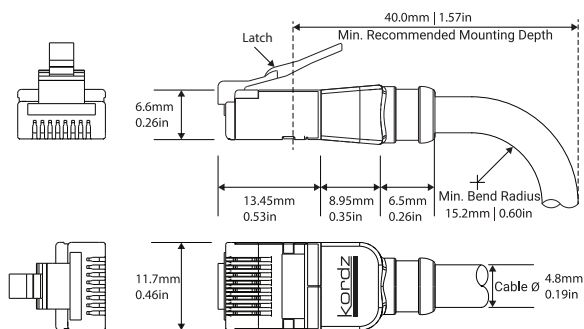
Electrical Characteristics

Conductor Resistance	223Ω/km
Insulation Resistance	10MΩ min @100V DC

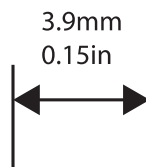
kordz.com



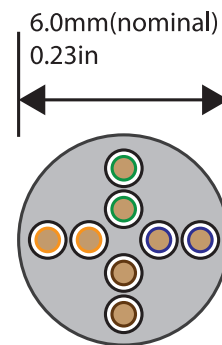
PRS Cat6A Slim-Profile Network Patch Cord



Actual Size



Kordz 28AWG Slim Profile
CAT6 Network Patch Cord



Standard 24AWG
CAT6 Network Patch Cord

Over 50% reduction in cross-sectional area

Available lengths

- 0.15m
- 0.25m
- 0.5m
- 0.75m
- 1.0m
- 1.5m
- 2.0m
- 2.5m
- 3.0m
- 4.0m
- 5.0m
- 7.5m
- 10m
- 15m
- 20m
- 30m

Applications

- 10GBASE-T (IEEE802.3an)
- PoE (IEEE802.3af), PoE+ (IEEE802.3at), PoE++ (IEEE802.3bt Type 3 & 4)
- Data Centre Networking & Wi-Fi Distribution
- Voice/Data Systems and Voice over internet Protocol (VoIP)
- Video Streaming

Available colours



Part No:	Length	AWG	Technology	Test Standard	Length Variance	Inner Ctn Qty	Master Ctn Qty	
K33946-0015-xx	0.15m 0.49ft	28	Category 6A	Component	± 10mm	15	90	
K33946-0025-xx	0.25m 0.82ft				± 15mm	15	90	
K33946-0050-xx	0.50m 1.64ft				± 25mm	15	90	
K33946-0075-xx	0.75m 2.46ft				± 30mm	15	90	
K33946-0100-xx	1.00m 3.28ft				± 50mm	12	72	
K33946-0150-xx	1.50m 4.92ft				± 50mm	12	72	
K33946-0200-xx	2.00m 6.56ft				± 50mm	12	72	
K33946-0250-xx	2.50m 8.20ft				± 50mm	12	72	
K33946-0300-xx	3.00m 9.84ft				± 100mm	10	60	
K33946-0400-xx	4.00m 13.1ft				± 100mm	8	48	
K33946-0500-xx	5.00m 16.4ft				± 100mm	8	48	
K33946-0750-xx	7.50m 24.6ft				± 100mm	12	36	
K33946-1000-xx	10.0m 32.8ft				± 100mm	10	30	
K33946-1500-xx	15.0m 49.2ft				Channel	± 200mm	8	16
K33946-2000-xx	20.0m 65.6ft					± 200mm	8	16
K33946-3000-xx	30.0m 98.4ft			± 200mm		8	16	
[xx] = Represents the jacket colour				Black [BK]	RAL9011	Red [RD]	RAL3000	
		Blue [BL]	RAL5015	Purple [PP]	RAL4005			
		Green [GN]	RAL6018	White [WH]	RAL9003			
		Grey [GY]	RAL7045	Yellow [YL]	RAL1018			

Kordz products are sold with a limited warranty as outlined at: www.kordz.com

©2023 Kordz International. All rights reserved. Kordz Connectivity, Assured & Kordz range logos are trademarks or registered trademarks of Kordz International in Hong Kong and in other countries.

All other trademarks are the property of their respective owners.