



Technical Data Sheet

PRO³ 4K60 18Gbps High Performance HDMI Cable

Makes installation easier

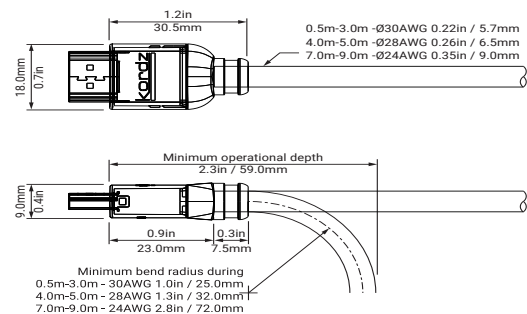
Kordz PRO3 Passive 18Gbps HDMI Cables are expertly designed for professional AV integrators, providing a hassle-free and electronics-free installation experience with compact, gold-plated 1kg retention HDMI connectors and a highly flexible fire-rated cable. Supporting 18Gbps 4K60 HDR up to 9m, they're backed by the Kordz promise of 'Connectivity Assured'.

- Certified High Speed with Ethernet HDMI Cable.
- All lengths support resolutions requiring 18Gbps transfer rates, including 4K60 HDR or 8K/30 4:2:0.
- Lightweight ABS connector assembly with gold-plated HDMI connector rated for 1kg retention force.
- Every cable individually production tested.
- Highly flexible, UL CMG fire-rated jacket perfect for almost every installation.
- Lifetime warranty.



Technical Specifications	
HDMI Certification 0.5m to 9.0m Lengths	
HDMI CTS (Certified Test Specification) Ultra High Speed HDMI® Cable	
Certified Data Rate	12.0Gbps, 48Gbps agg
Supported Data Rate	≥12.0Gbps, 48Gbps agg (8K UHD)
HDMI Clock	1200MHz
Construction	
Primary Conductors	Solid 30-24AWG OFC, length dependent
Insulation	FRL/TMDS Pairs HDPE, Foamed, Length dependant
	4C + HEAC Pairs HDPE
Shielding	FRL/TMDS Pairs AL/Mylar, 100% Coverage
	Overall AL/Mylar, 100% Coverage + Al-Mg alloy braid, min 85% coverage
Cable Jacket	UL CMG fire-rated PVC composite materials
HDMI Connector Shell	Premium gauge folded steel, 1µ" 24K Gold plated
HDMI Connector Pins	Solid OFC, 15µ" 24K Gold plated
Termination	High Frequency Soldering
HDMI Back-shell	ABS front shell with PVC injection moulded boot and strain relief
Mechanical	
Cable Diameter	30AWG 5.7mm/0.22"Ø 28AWG 6.5mm/0.26"Ø 24 AWG 9.0mm 0.35in Ø
Mounting Depth	30AWG 59.0mm/23.0" 28AWG 66mm/2.6" 24AWG 112.5mm 4.3yes"
Cable Bend Radius	30AWG 25.0mm/1.0" 28AWG 32.0mm/1.3" 24AWG 72mm 2.8"
Retention Force (nom)	9.9N (1kg / 2.2lbs) +10/-5%

Part No:	Length	AWG	Technology	Inner Ctn Qty	Master Ctn Qty
K26016-0050-CH	0.5m	30	Passive	15	90
K26016-0100-CH	1.0m	30	Passive	10	60
K26016-0150-CH	1.5m	30	Passive	8	48
K26016-0200-CH	2.0m	30	Passive	6	36
K26016-0300-CH	3.0m	30	Passive	10	30
K26016-0400-CH	4.0m	28	Passive	8	24
K26016-0500-CH	5.0m	28	Passive	5	15
K26016-0700-CH	7.0m	24	Passive	n/a	10
K26016-0900-CH	9.0m	24	Passive	n/a	10



Kordz products are sold with a limited warranty as outlined at: www.kordz.com
©2025 Kordz International. All rights reserved. Kordz Connectivity.Assured & Kordz range logos are trademarks or registered trademarks of Kordz International in Hong Kong and in other countries. All other trademarks are the property of their respective owners.