



## Wireless control panel with *Ricochet*® mesh technology

In today's connected world, there is no place for systems that inhibit upgrades or restrict additional devices. Security systems can offer so much more than basic security; increased security, monitoring, safety, perimeter protection and building automation all require systems that can support a large number and a wide range of devices.

With the introduction of the Premier Elite 64-W, Texecom is removing these limitations and allowing end users and installers to benefit from increased system capabilities.

### Outstanding features:

- Increased zone capacity on Texecom's *Ricochet*® enabled wireless panels
- Facilitates more devices per system to support increased security, safety and automation device requirements
- 32 on-board wireless zones; expandable to 64 wireless zones
- Contains Texecom Connect 'ready' V4.00 Premier Elite firmware
- EN50131-1, EN50131-3, EN50131-5-3 PD6662 Grade 2 Class II



Increased security



Safety devices



Monitoring



Building automation



Perimeter protection



## Key Features

Maximum number of zones	76
Maximum number of wireless zones	64
Number of wired zones (onboard)	4
Event log time & date stamped	500
SMS text messaging	•
Plug on digimodem	•
Single pole zone wiring	•
End of line wiring	•
Part sets	3 PER AREA
Programmable outputs (control panel)	4

## Standards & Specifications

Alarm system	EN50131-5-3, EN50131-3, EN50131-1, PD6662, Grade 2 Class II
Product type & frequency band	GEXA1000 : 868.2 – 868.4MHz GEXA3000 : 866.0 – 866.6MHz
EMC	EN 50130-4: 2011 ETSI EN 301 489-3 V2.2.1
EMC environment	Residential/Commercial Light Industrial/Industrial
Environmental	EN 50130-5
Radio	ETSI EN 300-220-2 (V3.1.1)
Operating temperature	-10° to 40°C (95% Humidity non condensing)
Storage temperature	-20°C to +60°C

## Performance

Max. number of keypads

4

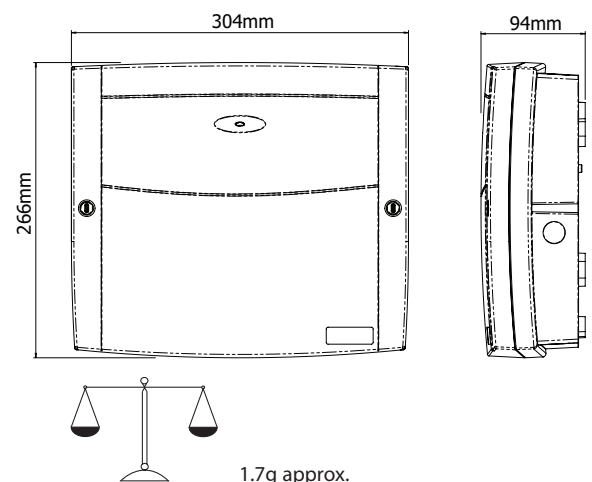
Max. number of areas

4

Max. number of user codes

50

## Dimensions & Weight



Texecom products are designed and manufactured in the UK

LIT-0262

www.texe.com  
Sales: +44 (0)1706 220460