



**RoHS
Compliant**

Features

- Single Fixed Output
- Efficiency Level: VI
- 2.1mm × 5.5mm × 12mm DC Connector Polarity +ve Centre
- UK Plug Type

Specifications

Input Voltage

Rated Input Voltage : 100V to 240V AC

Variable Input voltage : 90V to 264V AC

Input Current : 0.4A Max. (When input rated voltage and output rated load)

Input Frequency

Rate Frequency : 50/60Hz

Variation Frequency : 47 to 63Hz

In-rush Current : 60 Amps Max. Cold start at 240V AC input, with rated load and 25°C ambient.

AC leakage Current : 0.25mA Max . At 240V AC input

Rated Output Power : 12W

Output Voltage : 12V

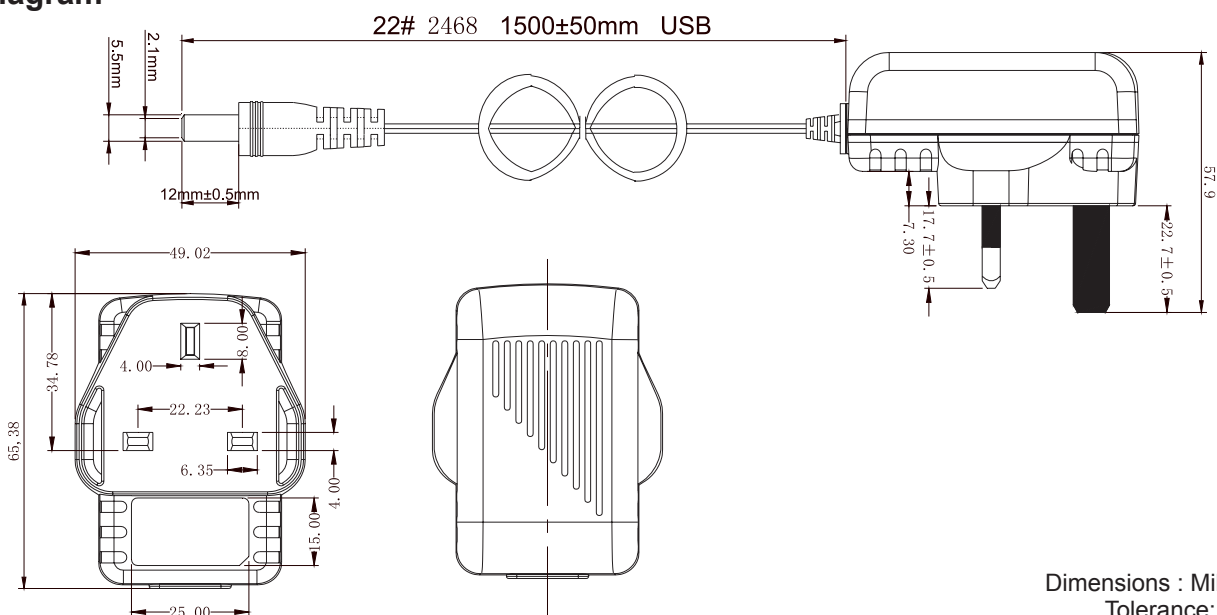
Output Current : 1A

Output Power : 12W

Operating Temperature : 0°C to +40°C

Storage Temperature : -10°C to +55°C

Diagram



Part Number Table

Description	Part Number
AC-DC Power Supply, 12V, 1A, 2.1mm DC Plug	PEL00398