

Miniature wireless contact and shock sensors with *Ricochet*® mesh technology



You can't evade what you can't see

The ultra miniature design of the micro sensor provides discrete yet powerful protection for all windows, doors and walls.

The Micro Shock-W is designed to detect and analyse a forcible shock and provide early warning of an attempted intrusion before a break-in occurs, ensuring the safety of people and property inside.

The Micro Contact-W is so small it can be concealed within most uPVC window frames, providing unobtrusive, discreet security.

Outstanding features include:

- Small size - 57mm x 27.5mm x 8.2mm
- *Ricochet* mesh technology
- 4 colour options
- LED assisted setup procedure
- Adhesive and screw fixing
- VIBER™ accelerometer technology (Micro Shock-W)

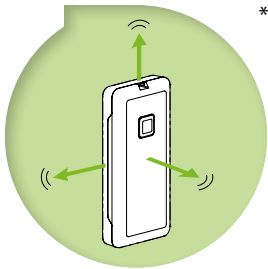


Texecom products are designed and manufactured in the UK

Small in size. Packed with features.

*Superior accelerometer technology

VIBER™ Accelerometer Technology is highly sensitive to sub-surface shock transmissions resulting from attempted forced entry, and completely immune from airborne-based high frequency noise. The result? A shock sensing technology with unparalleled catch performance while actively discriminating against false alarm sources.



*Micro Shock-W only

Install with ease

Simple, fast and easy to setup, the micro sensor is installed with a single button. With intuitive LED indications taking you step-by-step through the installation and commissioning process, trips back to the control panel are no longer required.

Install with confidence

Select from 5 sensitivity settings for accurate detection in even the most demanding environments; the Micro Shock-W can be installed on a wide range of materials ranging from window frames to concrete.

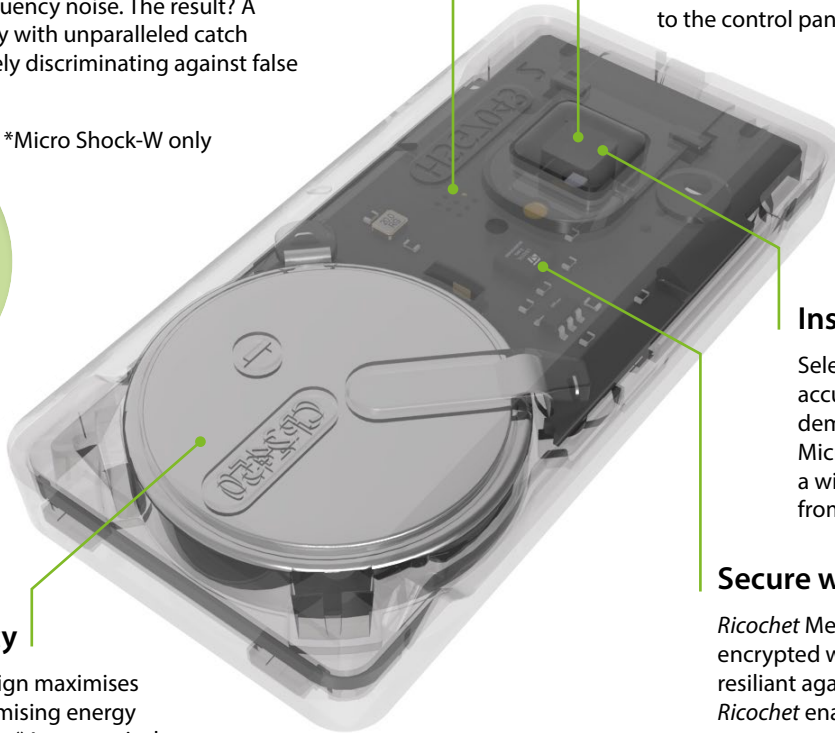
Secure wireless

Ricochet Mesh Technology provides secure, encrypted wireless communications that are resilient against blocked transmission paths. *Ricochet* enabled wireless devices receive and repeat messages from other devices. The size, scalability and range of the entire system are extended, as wireless signalling is no longer limited by point-to-point communications.

Effortless efficiency

Intelligent electronic design maximises performance whilst minimising energy consumption. Achieving a *4-year typical battery life from a single coin-cell battery (CR2450) the micro sensor provides longer service intervals and minimal disruption.

* 3-year battery life on Micro Shock-W only



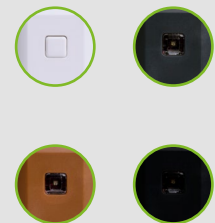
Micro sensor product range

Micro Shock-W

Micro Contact-W

Deep base housing

All available in the following colours:

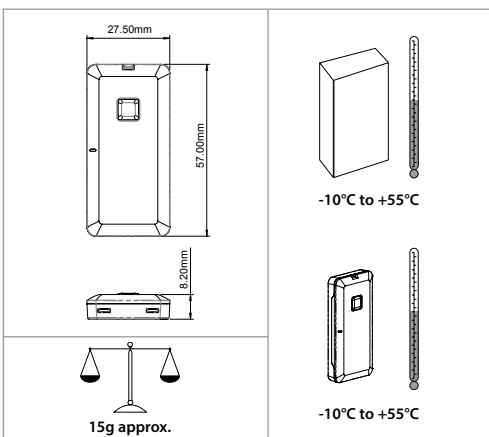


Texecom products are designed and manufactured in the UK

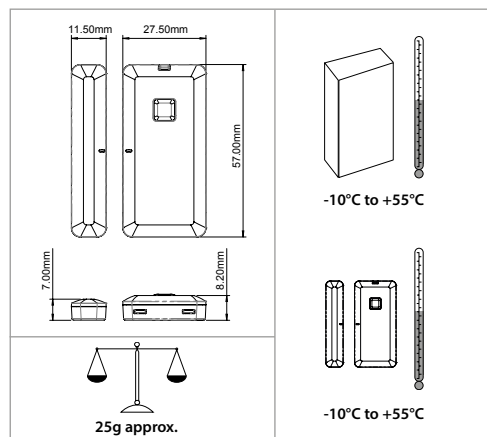
Technical specifications

Standards & Specifications	Micro Shock-W	Micro Contact-W
Alarm System	EN50131-2-8, EN50131-5-3, EN50131-1, PD6662:2017, Grade 2 Class II	EN50131-2-6, EN50131-5-3, EN50131-1, PD6662:2017, Grade 2 Class II
Product Type & Frequency Band	GHCA1000 : 868.2 – 868.4MHz GHCA2000 : 866.2 – 866.4MHz (Not CE approved)	GHAA1000 : 868.2 – 868.4MHz GHAA2000 : 866.2 – 866.4MHz (Not CE approved)
Receiver	Category 1, Class 2	Category 1, Class 2
Receiver LBT	Listen Before Talk	Listen Before Talk
Transmitter Duty Cycle	868MHz<1%	868MHz<1%
Max RF power	10mW	10mW
Low Voltage Signal	2.5V (Compensated according to temperature)	2.80V
Operating Voltage	3V	3V
Maximum Current	12mA	12mA
Quiescent Current	14uA	10uA
Relative Humidity	0 – 95% non-condensing	0 – 95% non-condensing

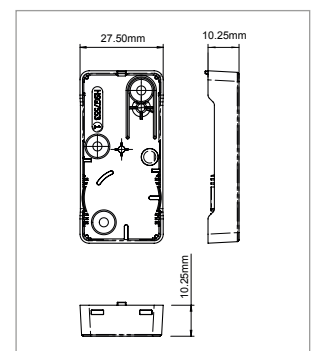
Micro Shock-W Dimensions & Weight



Micro Contact-W Dimensions & Weight



Deep Base Dimensions



Accessories

Deep base housing

The deep base housing is designed to improve wireless signal strength of the Micro Shock-W and the Micro Contact-W when installed on metal frames by providing better separation for the antenna. It is a simple clip in alternative to the standard product base, enabling a fast and effective solution at installation.



Texecom products are designed and manufactured in the UK