

# PHOTOELECTRIC TWIN BEAM SENSOR

**DOUBLE MODULATION**

## PB-60TX

**UP TO 60m(200ft) OUTDOOR**

---

### FEATURES

---

- 2 Selectable operation ranges:  
30 / 60m (100 / 200ft)
- 2x Synchronised high power beams
- Double modulation for increased light immunity
- 4 Selectable beam channels to prevent crosstalk
- Alarm output mode selectable (Standard / Real time)
- Advanced sound check
- $\pm 95^\circ$  horizontal /  $\pm 10^\circ$  vertical adjustment
- IP55 Housing



## New-generation TAKEX twin beam redesigned for improved performance, easy alignment, and reduced energy consumption

---

### HIGHEST RELIABILITY

---

Double modulation technology ensures stability and reduces the possibility of unwanted activations from ambient light. In addition, 4 selectable frequencies enable multiple beam sets used in linear configurations without risk of crosstalk.

---

### COMPACT DESIGN

---

PB-60TX features an all-new slim and compact design to fit modern, stylish property aesthetics.

---

### ECO-FRIENDLY

---

RoHS certified and 40% reduction in current consumption compared to the conventional model.

---

### ULTRA VERSATILE ADJUSTMENT

---

Featuring  $\pm 95^\circ$  horizontal and  $\pm 10^\circ$  vertical optical head adjustment, PB-60TX can ensure high performance intrusion detection in various applications.

---

### PROTECTION DISTANCE CHANGEABLE

---

Adjustable beam power in 2 steps, 30m(100ft) / 60m(200ft) according to the protection distance to prevent wraparound and/or spill-over of the beams. PB-60TX can be flexibly adapted to relocation or layout changes.

---

### ALARM OUTPUT OPERATION CHANGEABLE

---

PB-60TX includes a secondary real-time alarm output mode suitable for alternative applications including people counting.

---

### OTHER FUNCTIONS

---

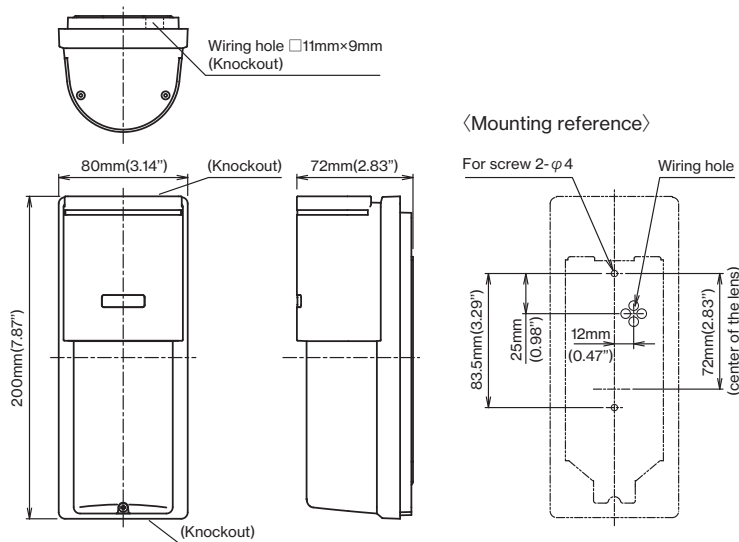
Enhanced features include a drip-proof housing designed to channel precipitation away from the face of the beam, anti-bird spikes (option) to prevent our feathered friends from alighting on the units and a sound check function for easy alignment.

# PHOTOELECTRIC TWIN BEAM SENSOR

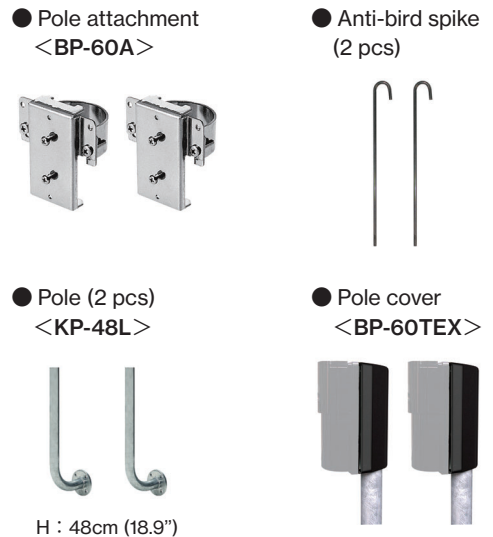
## ■ SPECIFICATIONS

Model	PB-60TX
Detection system	Near infrared pulsed beam interruption system (TR-RE 2 beam simultaneous interruption)
Protection distance	Outdoor 60m (200') or less
Distance margin (maximum arrival distance)	10 times 600m (2000')
Protection distance setting	30m (100'), 60m (200') (2 distances selectable)
Response time	0.05sec., 0.1sec., 0.25sec., 0.7sec. (4-level changeover)
Power supply voltage	10~28V DC (non-polarity)
Current consumption	37mA (max.)
Alarm output	Dry contact(semi-conductor) output : N.C./N.O. selectable • Contact capacity : 30V (AC/DC) 0.25A max. (Resistive load) Protective resistor • Contact operation : Standard/Real time selectable (Dip switch) Standard : Interruption time (Min. 2sec.) Real time : Interruption time
Tamper output	Dry contact relay output : N.C. • Contact capacity : 30V (AC/DC) 0.1A (Resistive load) Protective resistor • Contact operation : Activated when the cover is detached
Transmission LED	Red LED (Transmitter) : ON when powered (when the cover is open)
Alarm/sensitivityattenuation LED	Red LED (Receiver) : ON when an alarm is output/Blinks when beam is attenuated
Functions	Modulation frequency selectable, Tamper, Response time adjustment, Monitor jack, Sound check
Beam adjustment	Horizontal : ± 95° Vertical : ± 10°
Ambient temperature	-25°C to +60°C (-13°F to +140°F) (No freezing or condensation)
Mounting position	Outdoor, Indoor IP 55
Wiring	Terminals
Weight	Transmitter : 380g (13.1oz) Receiver : 400g (14.1oz)
Appearance	Cover : Resin (Wine red) Base : Resin (Black)

## ■ EXTERNAL DIMENSIONS



## ■ OPTIONS



### Limited Warranty :

TAKEX products are warranted to be free from defects in material and workmanship for 12 months from original date of shipment. Our warranty does not cover damage or failure caused by Acts of God (including inductive surge by lightning), abuse, misuse, abnormal usage, faulty installation, improper maintenance or any repairs other than those provided by TAKEX. All implied warranties with respect to TAKEX, including implied warranties for merchantability and implied warranties for fitness, are limited in duration to 12 months from original date of shipment. During the Warranty Period, TAKEX will repair or replace, at its sole option, free of charge, any defective parts returned prepaid. Please provide the model number of the products, original date of shipment and nature of difficulty being experienced. There will be charges rendered for product repairs made after our Warranty period has expired.

