

TWIN MIRROR PASSIVE INFRARED SENSOR

PA-6614E (Wide angle protection: 14m)

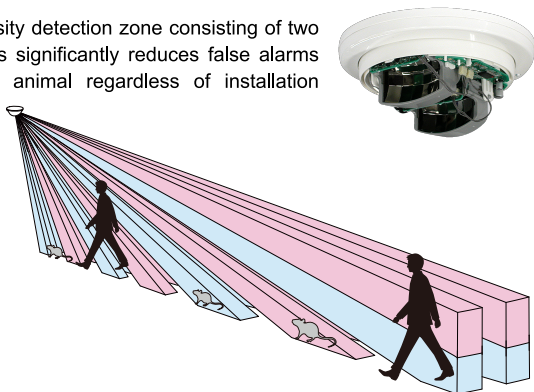


PA-6614E(BL)

Equipped with advanced twin mirror technology to ensure excellent detection performance with pet tolerance

TWIN MIRROR OPTICAL SYSTEM

A high density detection zone consisting of two optical units significantly reduces false alarms from small animal regardless of installation location.



NEXT GENERATION PROCESSING

- New logic mapping provides improved discrimination performance between humans and small animals compared to conventional AND detection and simple pulse count processing.
- Maintains catch performance throughout the summer months even when background temperature is high.

WIDER APPLICATION OPTIONS LOCATION

A geared mirror array allows detection patterns to be optimised across a wide range of installation environments; mount up to 6m in high density mode, or detect up to 14m in standard operation modes.

STABLE DETECTION

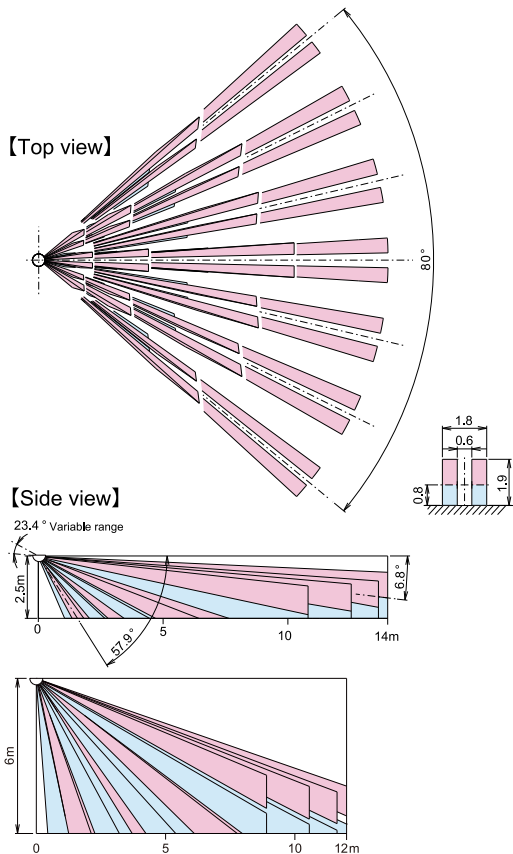
Dynamic temperature compensation maintains optimal detection sensitivity year-round.

ECO FRIENDLY

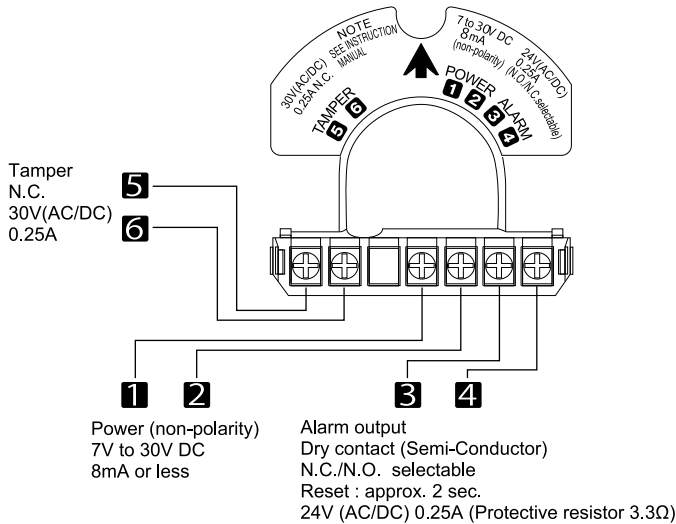
- **Wide operation voltage range and low current consumption**
Designed to operate on 7 to 30VDC with 8mA (max.) current consumption for improved PSU and wiring efficiency.
- **Enhanced surge resistance**
Reduces damage caused by induced lightning by up to 3x compared to conventional models.

TWIN MIRROR PASSIVE INFRARED SENSOR

COVERAGE AND RANGE



TERMINAL ARRANGEMENT



OPTIONAL

- Wall mount attachment <BCW-401>

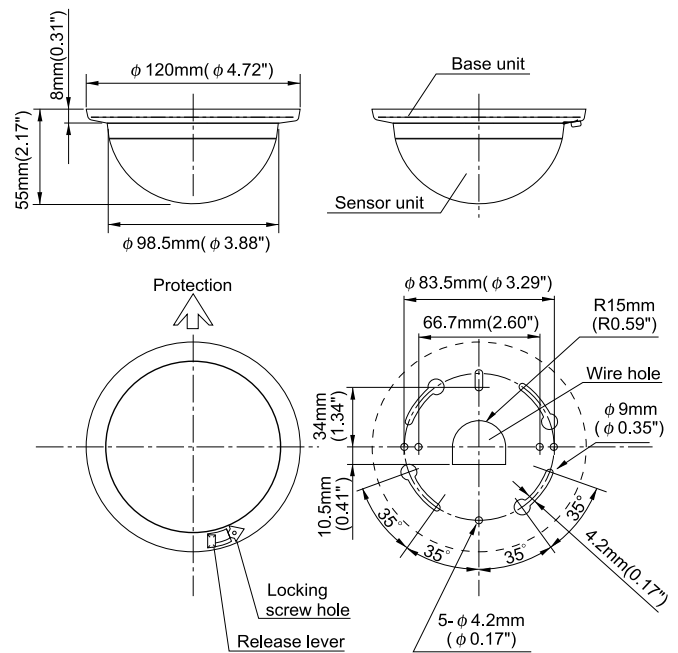


- Wall mount attachment <BL-5000>



EXTERNAL DIMENSIONS

Unit: mm (inch)



SPECIFICATIONS

Model	PA-6614E	PA-6614E(BL)
Detection system	Passive infrared (Twin mirror)	
Coverage	Wide angle 14m Max.	
Sensitive zone	38 pairs	
Supply voltage	7 to 30V DC (non-polarity)	
Current consumption	8mA Max.	
Alarm signal	Dry contact (Semi-Conductor) (N.C. / N.O. selectable) Reset : Approx. 2 sec., 24V (AC/DC) 0.25A (protective resistor 3.3Ω)	
Alarm memory	3 minutes flashing, 47 minutes lighting and automatically reset. (ON/OFF selectable)	
Alarm LED	Red : Flashing at warning up Lighting at alarm (LED can be disabled)	
Memory LED	Yellow : Flashing at memory activated Lighting at memory indication	
Tamper	N.C. 30V(AC/DC) 0.25A	
Adjustment	Vertically : 23° Horizontally : 25°(on mounting hole of base)	
Sensitivity changeover	60% / 80% / 100% / 120% changeover	
Other functions	Self-diagnosis function Temperature compensation	
Ambient temperature range	-15°C to +55°C (+5°F to +131°F) without condensation	
Mounting position	Indoor ceiling (wall mount with optional attachment BCW-401)	
Wiring connection	Terminals on separate base unit	
Weight	120g (4.23oz)	
Appearance	Body /Cover : White resin	Body /Cover : Black resin
Accessory	Tapping screw : 2 pcs. Sensor locking screw : 1 pce.	

The specifications are subject to change without notice.



Please note:

This sensor is designed to detect intrusion and flame to initiate an alarm; it is not a burglary or a crime preventing device. TAKEX is not responsible for damage, injury or losses caused by accident, theft, Acts of God (including inductive surge by lightning), abuse, misuse, abnormal usage, faulty installation or improper maintenance.