

# OUTDOOR PASSIVE SENSOR

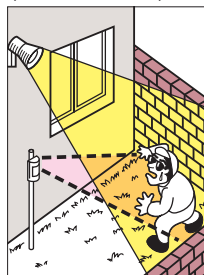
MS-100E (12VDC)



Passive Sensor for outdoor/indoor use.  
Variable multi-area system enables selection of 4 detection patterns.

MS-100E is a passive infrared sensor, designed to detect far-infrared rays emitted from human body. For wide applications, indoor or outdoor, as a switch of illuminator or various home automation devices.

<APPLICATION>



• SWITCHING ILLUMINATOR

Advanced variable multi-area system

Variable multi-area system developed newly enables 4 detection patterns to fit for various installation sites.

To activate illuminator/surveillance camera

Usable as a switch to activate surveillance camera as well as to turn illumination ON/OFF outdoor or indoor for energy saving or at your convenience. (Dry contact relay : N.C./N.O. selectable)

Weather-proof

Rain-proof allows outdoor/semi-outdoor installation as well as indoor installation. Ceiling/wall/pole mount attachments are available (option).

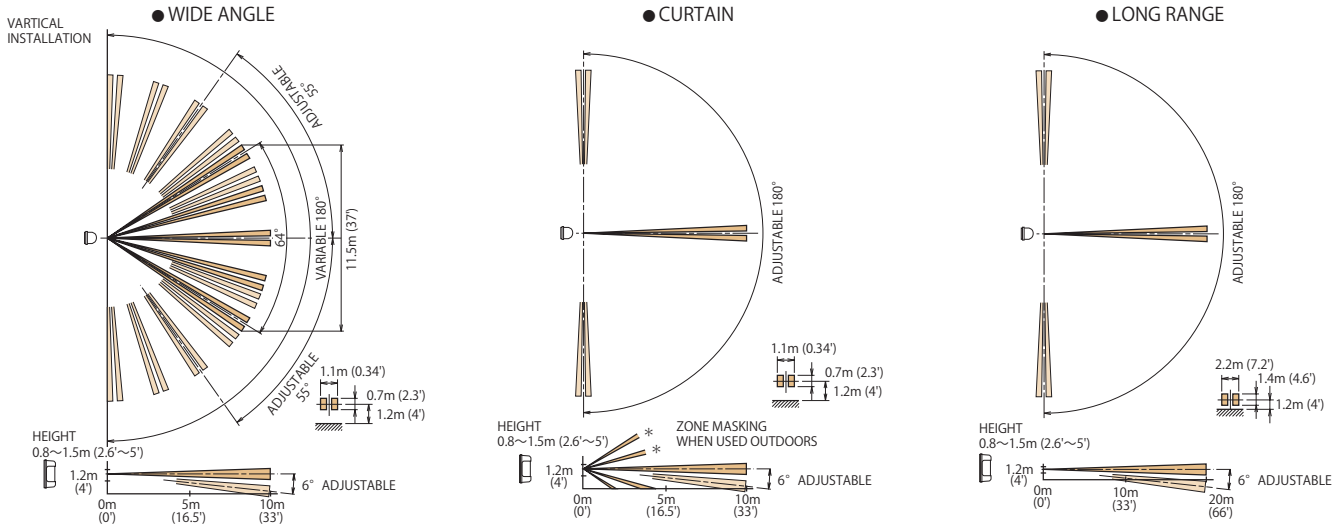
## ■ SPECIFICATIONS

Product name	OUTDOOR PASSIVE SENSOR
Model	MS-100E
Detection system	Passive infrared
Coverage	Vertical Installation ●Wide Angle [Max. 33'(10m)] (5 pairs) ●Curtain [Max. 33'(10m)] (5 pairs) ●Long Range [Max. 66'(20m)] (1 pair) Horizontal Installation ●Vertical Curtain [Max. 10'(3m)] (5 pairs)
Supply voltage	10.5VDC to 28VDC (Non polarity)
Power consumption	30mA or less
Output signal	Dry contact relay output Form N.C./N.O. selectable ●Contact capacity ; 30V (AC·DC), 0.5A MAX. (Resistance load) ●Contact operation ; Detection time + delay time (Approx. 2 sec.)
Tamper signal	Dry contact relay output N.C. ●Contact capacity ; 30V (AC·DC), 2A MAX. (Resistance load)
Sensitivity adjustment	Approx. 30% (L)~Approx. 170% (H) (100% set at factory)
Ambient temperature	-4°F to 122°F (-20°C to +50°C)
Mounting position	Vertical Installation ●Indoor / outdoor (pole/wall,height 0.8-1.5m) Horizontal Installation ●Indoor / (wall / ceiling,height 3m Max)
Operation LED	Light at alarm
Connection	Terminals
Weight	7.7 oz (220g)
Appearance	Cover : PE resin (white) Body : AES resin (white)
Optional	Ceiling / wall mount attachment (BCW-401) Wall mount fittings (BW-14)

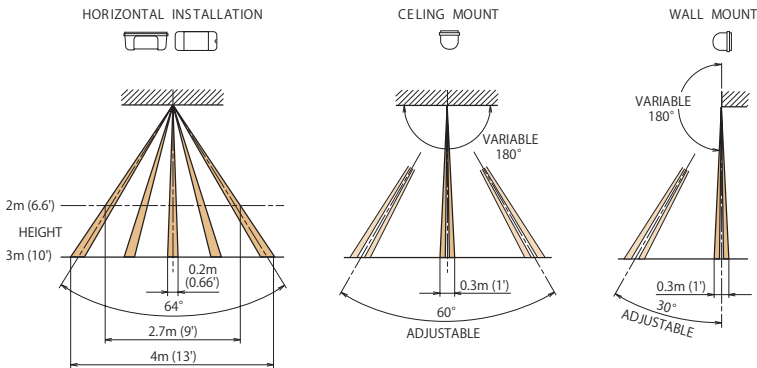
\* Specifications and design are subject to change without prior notice.

# SENSOR SWITCH

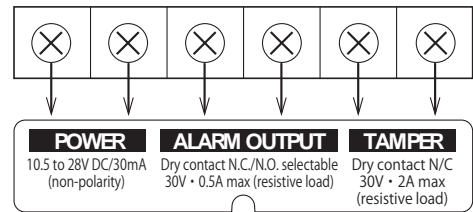
## ■ PATTERN



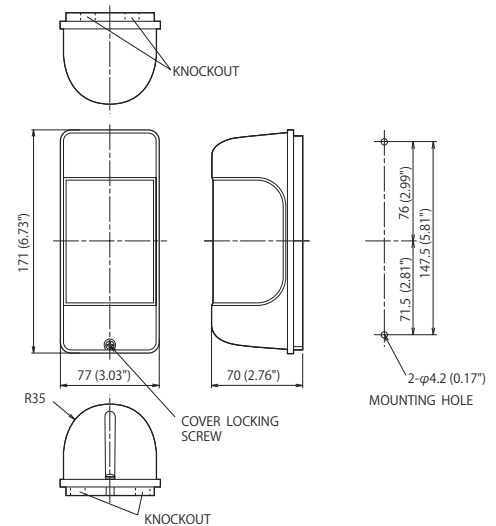
## ● CURTAIN



## ■ WIRING



## ■ EXTERNAL DIMENSIONS unit : mm (inch)



## ■ OPTIONAL ACCESSORY

### ● WALL MOUNT FITTINGS (BW-14)



### ● CEILING/WALL MOUNT ATTACHMENT (BCW-401)

※BW-14 IS REQUIRED



**Please note :** This sensor is designed to detect intrusion and to initiate an alarm; it is not a burglary or a crime preventing device. TAKEX is not responsible for damage, injury or losses caused by accident, theft, Acts of God (including inductive surge by lightning), abuse, misuse, abnormal usage, faulty installation or improper maintenance.

**Limited Warranty :** TAKEX products are warranted to be free from defects in material and workmanship for 12 months from original date of shipment. Our warranty does not cover damage or failure caused by Acts of God (including inductive surge by lightning), abuse, misuse, abnormal usage, faulty installation, improper maintenance or any repairs other than those provided by TAKEX. All implied warranties with respect to TAKEX, including implied warranties for merchantability and implied warranties for fitness, are limited in duration to 12 months from original date of shipment. During the Warranty Period, TAKEX will repair or replace, at its sole option, free of charge, any defective parts returned prepaid. Please provide the model number of the products, original date of shipment and nature of difficulty being experienced. There will be charges rendered for product repairs made after our Warranty period has expired.

# TAKEX