

FLAME SENSOR

FS-2000E



**FLAME DETECTION AT 33ft. (10m) AHEAD !
PROTECTION AREA ADJUSTMENT ENABLES EASY INSTALLATION ,
AND MANY FUNCTIONS FOR PROFESSIONALS ARE AVAILABLE !**

Flame sensor FS-2000E quickly detects ultraviolet rays contained in flames and activates a built-in alarm sound in addition to an external output.

OPERATION SET-UP BY DETECTION TIMER

The alarm will be activated only when the sensor detects a flame (ultraviolet rays) in accordance with the detection timer. 4 detection times are selectable by a slide switch on the sensor. <0.2 sec., 1 sec., 6 sec., 30 sec.,>

OTHER FUNCTIONS

- * Internal alarm sound, which is greater than 80dB at 3.3ft. (1m) in front of the sensor, and it can be turned off.
- * Tamper output.

FORM C EXTERNAL OUTPUT

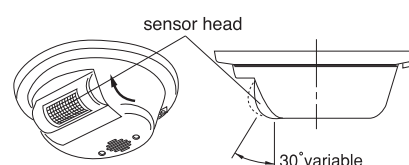
With a Form C output, FS-2000E can be connected to a Fire / Security control panel. Also the output signal can be used to initiate a warning device, such as CCTV surveillance as a part of advanced security system.

ALARM MEMORY

It can be easily identified by Alarm memory indication which sensor is activated. Memory LED on the sensor blinks for 3 min. and lights on for 47 min. after alarm activation.

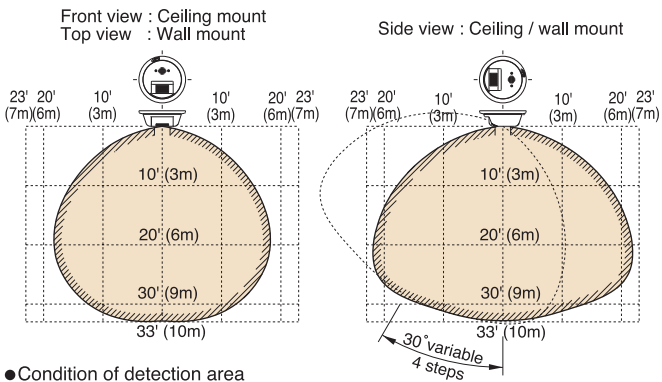
PROTECTION AREA ADJUSTMENT

Compact design (ϕ 120mm) enables FS-2000E to be installed at any location. Easy separation of the sensor body from the base simplifies installation and maintenance. In addition, wide selections of protection area setting are available with protection area adjustment.



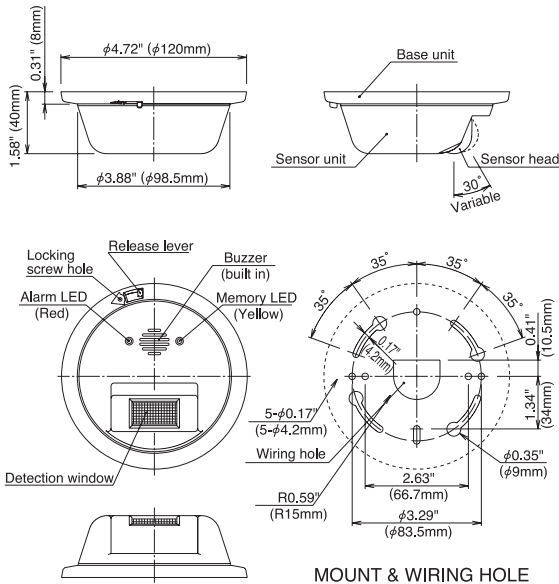
FLAME SENSOR

DETECTION AREA



- Condition of detection area
- Detection timer : 0.2sec.
- Origin of flame : Gas lighter
- Size of flame : Approx. 2.75" (7cm)

EXTERNAL DIMENSIONS [Unit : inch(mm)]

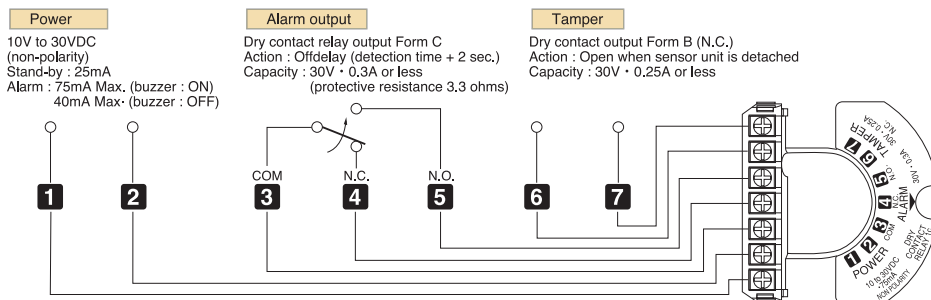


SPECIFICATIONS

| | | |
|------------------------|---|---|
| Product name | FLAME SENSOR | |
| Model | FS-2000E | |
| Detection system | Ultraviolet rays detection (Detected wave length 185 to 260nm) | |
| Detection area | Distance | 33ft.(10m) [2.75" (7cm) lighter flame, in front] |
| | Angle | Approx. 120° conically |
| | Adjustment range | Horizontal 25° by base unit Vertical 30° (4 steps) by sensor head |
| Detection sensitivity | STD : 100% , L : 50% | |
| Sensitivity adjustment | Detection timer 4 steps (0.2 sec., 1 sec., 6 sec and 30 sec.) | |
| Power supply | 10V to 30VDC (non-polarity) | |
| Power consumption | Stand by : 25mA or less Alarm : 75mA or less (alarm sound ON) 40mA or less (alarm sound OFF) | |
| Alarm output | Dry contact relay Form C (alarm : open / close) Contact action : Off-delay (approx. 2 sec.) Contact capacity : 30V(AC/DC)0.3A, protective resistance 3.3 ohms | |
| Alarm memory | Auto-reset operation (on/off setting available) Memory LED blinks for 3 min. then lights on for 47 min. | |
| LED | Alarm LED (red) : light on for off-delay 10 sec. Memory LED (yellow) : light on when memory indicated, blink when power turned on | |
| Alarm sound (buzzer) | Alarm : Sounds intermittently every 0.2 sec. during off-delay 10 sec. Volume : 80dB or more at 3.3ft (1m) ahead (silent setting is available) | |
| Temper output | Dry contact relay Form B (N.C.) Action : open when cover is detached Capacity : 30V (AC/DC) 0.1A | |
| Wiring | Terminals | |
| Ambient temp. range | +14°F to +140°F (-10°C to +60°C) without condensation and freeze | |
| Installation | Indoor (ceiling or wall mount) | |
| Weight | Approx. 5.3oz (150g) | |
| Appearance | ABS resin (white) | |
| Accessories | Tapping screw φ4×25.2pcs. Sensor locking screw φ3×6.1pce. | |
| Optional | Celling mount attachment [BCW-401] | |

* Specifications and design are subject to change without prior notice.

TERMINAL ARRANGEMENT



Please note : This sensor is designed to detect ultraviolet rays and to initiate an alarm; it is not a crime preventing device. TAKEX is not responsible for damage, injury or losses caused by accident, theft, Acts of God (including inductive surge by lightning), abuse, misuse, abnormal usage, faulty installation or improper maintenance.

TAKEX