

BT8301

FULL SERVICE VIDEOWALL MOUNT WITH MICRO-ADJUSTMENT

Designed to make videowall installations as simple as possible, this modular videowall mount can create unlimited videowall configurations in landscape and portrait format. The BT8301 has a low profile design, ideal for mounting into walls with a shallow recess. The pop-out system enables quick and easy access to the rear of the mounted screen for servicing and maintenance, and +/-4mm micro-adjustment makes accurate screen alignment quick and easy.

SPECIFICATIONS

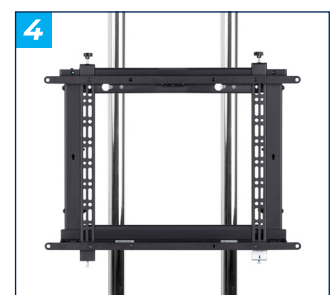
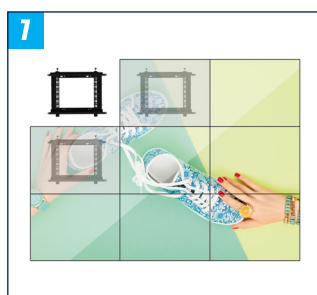
Recommended screen size	42" - 70" (46" - 70" in portrait)
Max load	35kg
VESA® compatibility	up to 600 x 400*
Universal fixings	up to 442 x 436mm
Flat to wall depth	77.5mm* (+/-4mm with micro-adjustment)
Popped out depth	260mm* (+/-4mm with micro-adjustment)
Screen height adjustment	+13mm

FEATURES

- Slim design ideal for low profile installs on walls or in shallow recesses
- 1 Modular mount allows videowall assembly in unlimited configurations
- 2 Push to open/push to close system provides quick and easy service access
- 3 Tool-less micro-adjustment of +/-4mm at each corner
- 4 Compatible with B-Tech's collar and pole system for mounting screens
- Lateral adjustment of screen once mounted
- Safety screws help prevent unauthorised removal of screens
- Suitable for landscape or portrait screen mounting
- All mounting hardware included

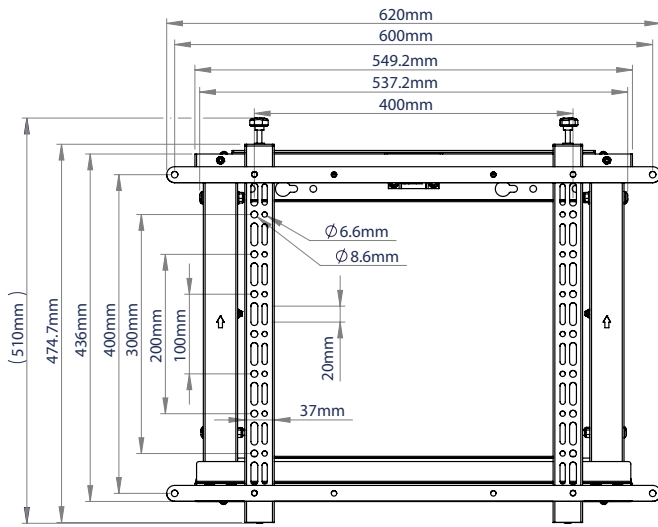


RECOMMENDED MAX SCREEN	MAX LOAD	MAX VESA	MICRO ADJUSTMENT	POST INSTALL ALIGNMENT	COLLAR COMPATIBLE	QR CODE
70" 178cm	35kg	600 x 400				

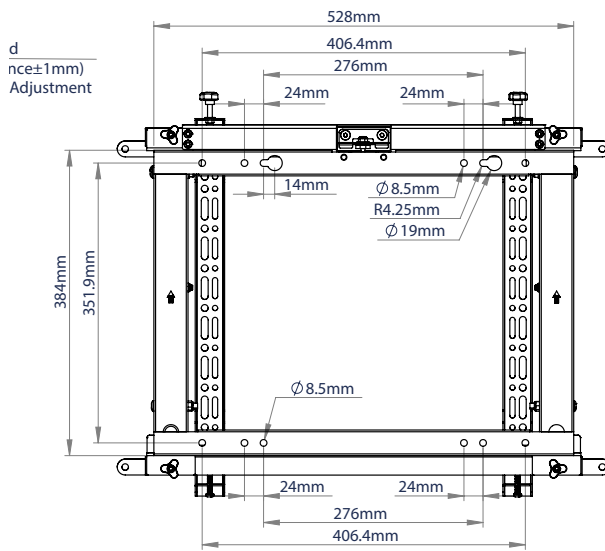


*Please note using the included Interface Adaptor Arms to mount VESA 600 x 400 screens will increase the total depth of the product by 6mm, for a total depth of 83.5mm, or 260mm whilst popped out (+/-4mm micro-adjustment).

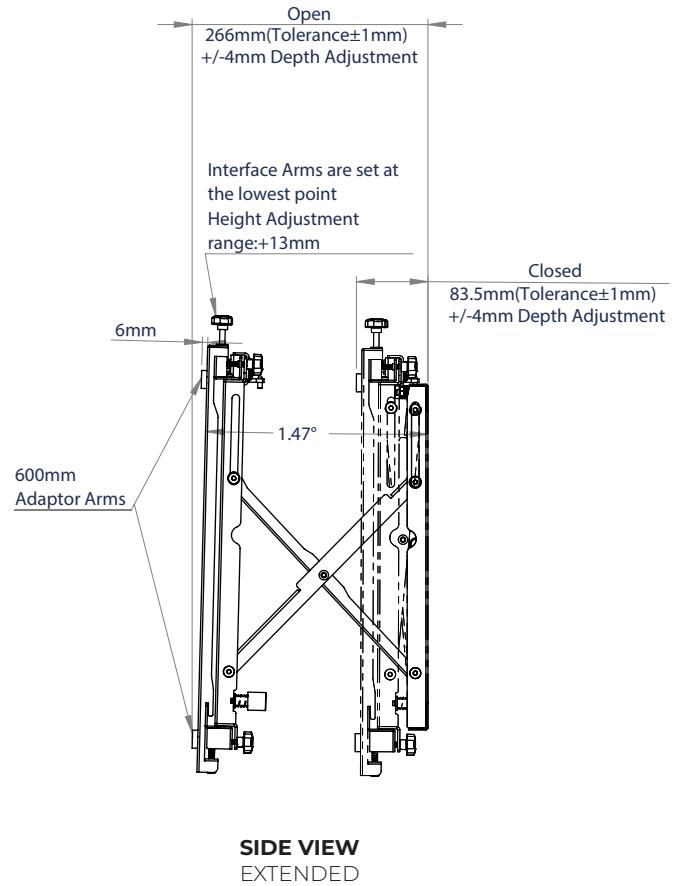
BT8301



FRONT VIEW



REAR VIEW



**SIDE VIEW
EXTENDED**

ORDERING INFORMATION

COLOUR	ORDER REF	EAN
Black	BT8301/B	5019318759987

RELATED PRODUCTS

PRODUCT CODE	NAME	DESCRIPTION
BT7565	Interface Adapter Arms	Designed to increase the VESA mounting pattern to 800mm
BT7850	Ø50mm Poles	Available in a variety of lengths to create multiple pole-mounted solutions
BT8312	Soft-Open Videowall Mount	Modular low-profile pop-out mounting solution for multi-screen videowalls
BT8309	Pop-Out Flat Screen Wall Mount	Pop-out mounting solution for smaller screens up to 42"

© 2016 B.Tech. AV Mounts Co. Ltd. All rights reserved.
The information in this specification sheet reflects the current technical specifications at the time of printing.
We reserve the right to change the technical or physical specifications without prior notice. This B.Tech. name and the B.Tech. logo are registered trademarks of B.Tech. AV Mounts Co. Ltd.
B.Tech. is not responsible for any loss or damage caused by improper installation or mounting on unstable structures. Any reproduction or reuse of information or specification of any part of this specification sheet is strictly prohibited unless prior written permission is obtained by B.Tech. AV Mounts Co. Ltd. 120324