

FLAT SCREEN DISPLAY TROLLEY

Launched as the first model in B-Tech's Momentum Range of mobile display solutions, the BT7504 Momentum One trolley is a one pole, one box solution that offers a quick and compact mobile mount for installing small to medium sized displays. It's simple 'hook-on' installation allows for easy screen fitting, at a choice of 3 different heights, with the flexibility to mount the screen in either landscape or portrait orientation. Integrated cable management and collar compatibility allows the solution to be neatly accessorised with shelves or video bars if desired.



SPECIFICATIONS

Recommended screen size	up to 55"
Max load	25kg
VESA® compatibility	up to 400 x 400mm
Product Dimensions	W: 779mm H: 1634mm D: 624mm
Packaging Dimensions	W: 845mm H: 805mm D: 90mm
Colour	Black

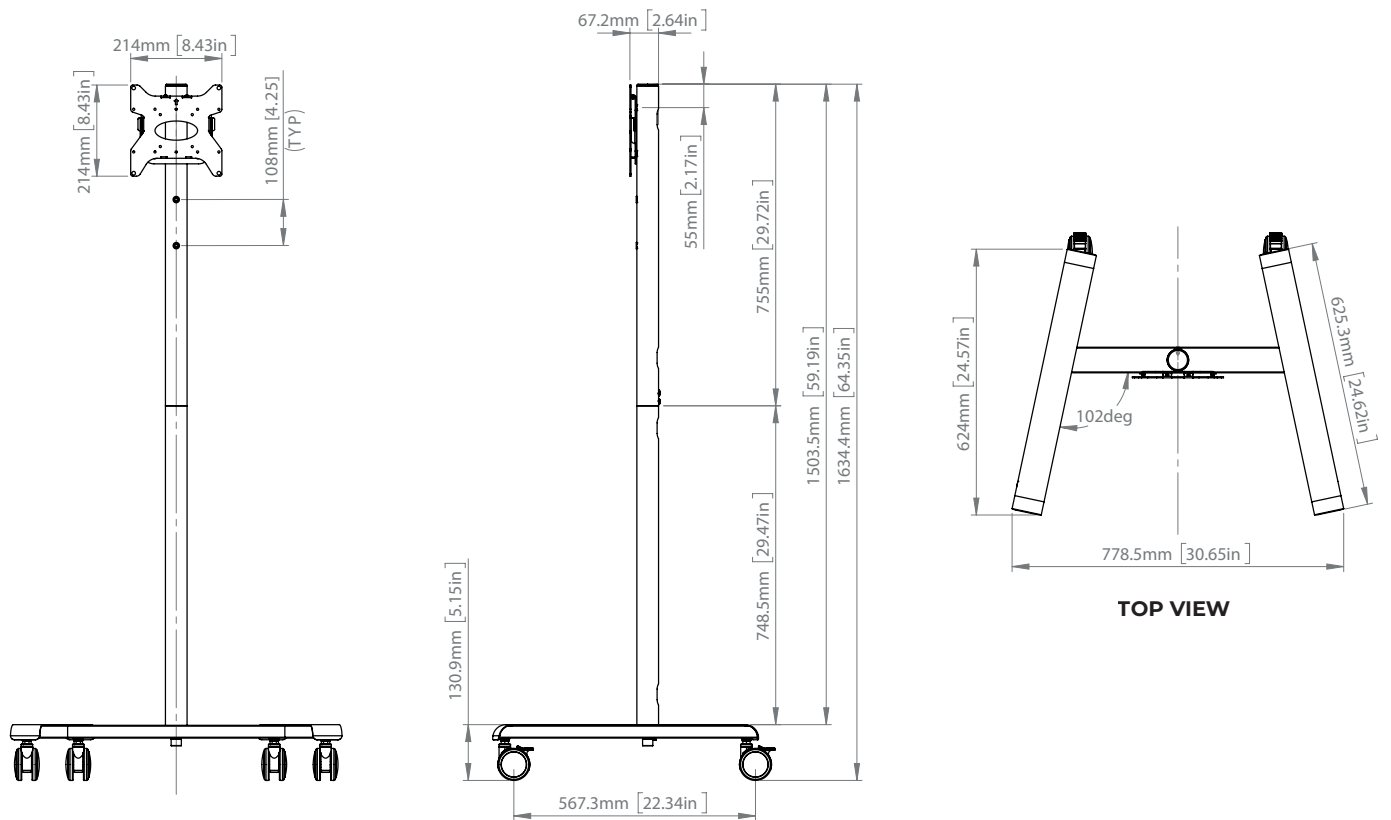
FEATURES

- 1 Suitable for displaying screens in both landscape or portrait orientation
 - 2 Non-marking, locking/braked castors for easy mobility
 - 3 Integrated cable management
 - 4 Ships in a compact single box for user convenience
- Offers three height options to mount the screen
 - Modern Matt Black aesthetic
 - Shelves and other accessories can be fitted to the pole using B-Tech Ø50mm accessory collars (available separately)
 - All mounting hardware included



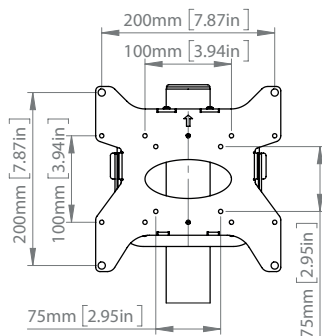
RECOMMENDED MAX SCREEN	MAX LOAD	MAX VESA	COLLAR COMPATIBLE	QR CODE
55" 140cm	25kg	400		



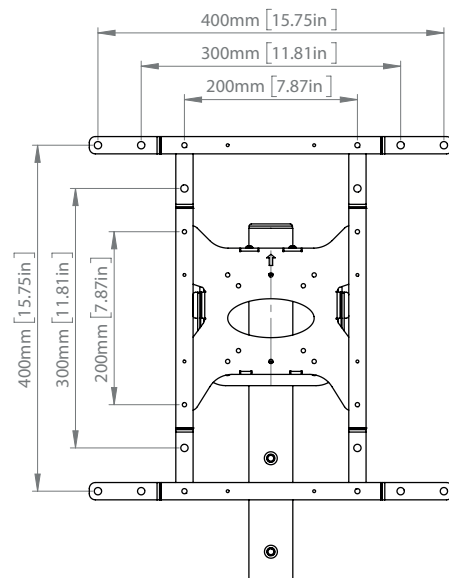


FRONT VIEW

SIDE VIEW



FRONT VIEW
INTERFACE FOR VESA
FIXINGS UP TO 200



FRONT VIEW
INTERFACE FOR VESA 400 FIXINGS

ORDERING INFORMATION

COLOUR	ORDER REF	EAN
Black	BT7504/B	5019318308819

RELATED PRODUCTS

PRODUCT CODE	NAME	DESCRIPTION
BT7841	Ø50mm 2-Piece Accessory Collar	Ideal for mounting an AV accessory shelf onto BT7504
BT7033	AV Accessory Shelf	Stylish accessory shelf is ideal for adding an AV device to the installation
BT7863	Small AV Accessory Shelf	Stylish accessory shelf is ideal for smaller devices such as VC cameras
BT8571	Flat Screen Single Pole Floor Stand	Freestanding mounting solution for screens up to 55"

© 2024 B Tech AV Mounts Co. Ltd. All rights reserved.
The information in this specification sheet reflects the current technical specifications at the time of printing.
We reserve the right to change the technical or physical specifications without prior notice. These B Tech AV Mounts Co. Ltd. specifications are subject to change without notice. B Tech AV Mounts Co. Ltd. is not responsible for any damage caused by improper installation or mounting on unstable structures. Any reproduction or use of information or any part of this specification sheet is strictly prohibited unless prior written permission is granted by B Tech AV Mounts Co. Ltd.

SS-V1-BT7504-250724