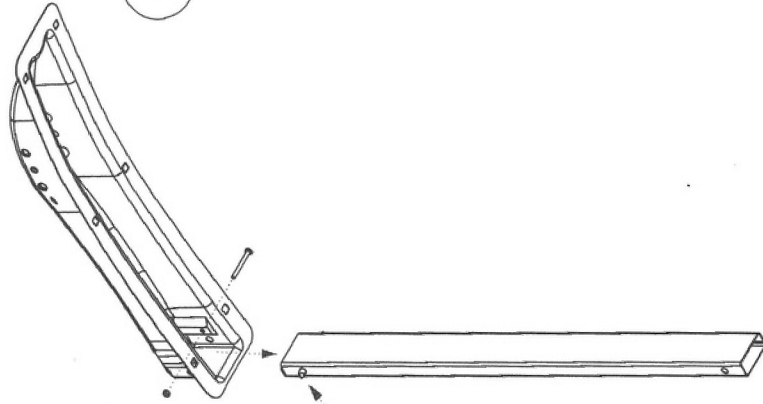
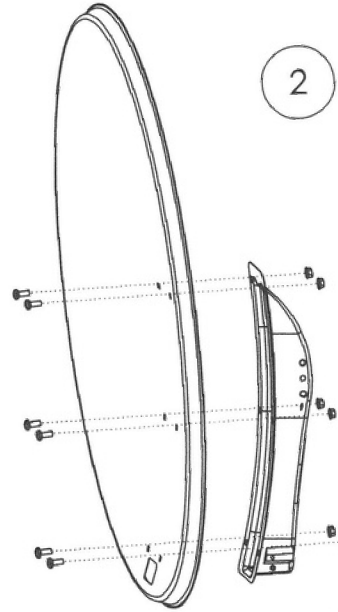


1

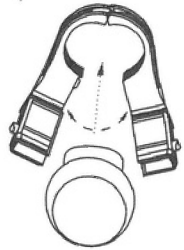


Click-fit

2

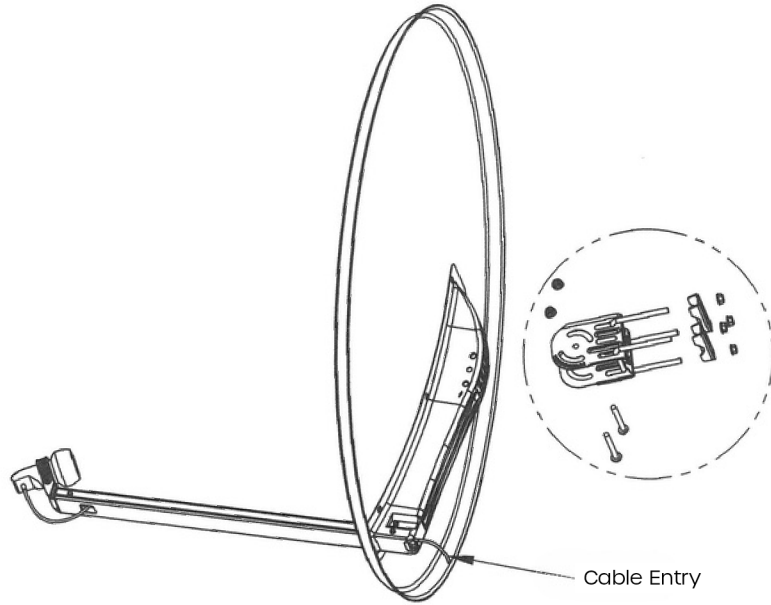


3



Click-fit

4



Cable Entry

